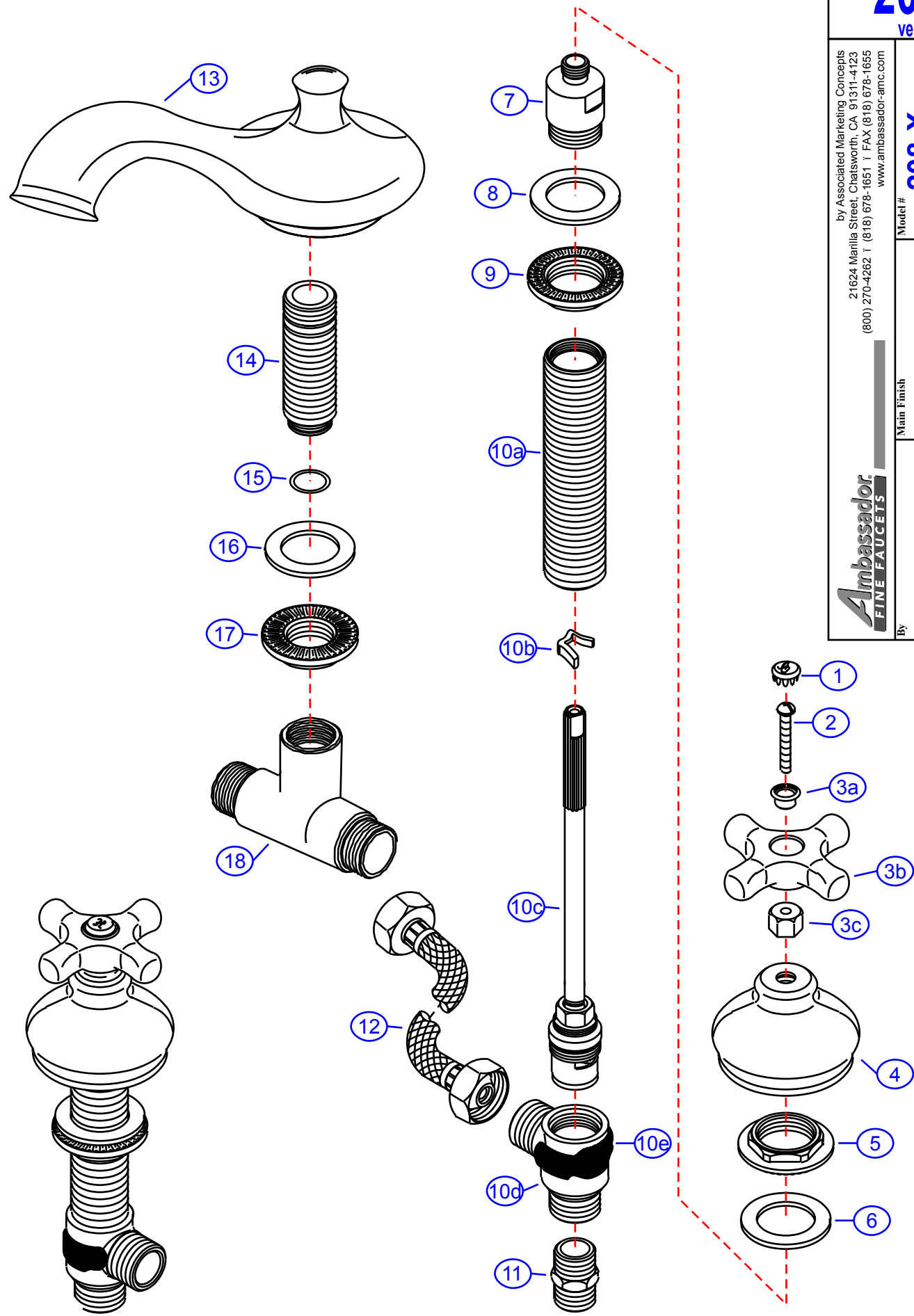


# 208-X

version 1

by Associated Marketing Concepts  
 21624 Manilla Street, Chatsworth, CA 91311-4123  
 (800) 270-4262 | (818) 678-1651 | FAX (818) 678-1655  
 www.ambassador-amc.com

By	SS	Main Finish	Chrome	Model #	208-X v1
Modified/Approved	3-8-04	Accent Finish	White Porcelain	Series	Cross Handle
Fulfillment	xxxxCW	Valve	Ceramic Disk	Type	Roman/Whirlpool Tub



# 208-X v1



## Cross Handle Roman/Whirlpool Tub- CD/CP

#	Description	Quantity	Part #	Finish
1	Cap "H"	1	E-206041HCP	Chrome
	Cap "C"	1	E-206041CCP	Chrome
2	Handle Screw	2	E-008083CP	Chrome
3	Handle (Cross)	2	G-A90129CP	Chrome/Porcelain
3a	Screw Housing	2	E-309000CP	Chrome
3b	Handle (Cross)	2	E-108025WH	Porcelain
3c	Stem Adapter	2	E-230001	Brass
4	Canopy	2	E-018081CP	Chrome
5	Lock Nut	2	G-xxxx	Brass
6	Rubber Washer	2	E-010022	Rubber
7	Adapter	2	E-016018	Brass
8	Rubber Washer	2	E-010022	Rubber
9	Lock Nut	2	G-xxxx	Brass
10	Valve Body (Assembled) Hot	1	G-Axxxx	Brass
	Valve Body (Assembled) Cold	1	G-Axxxx	Brass
10a	Body	2	E-014040*	Brass
10b	"C" Clip	2	E-012019*	Metal
10c	Cartridge (Hot)	2	E-507060H*	Ceramic Disc
	Cartridge (Cold)	2	E-507060C*	Ceramic Disc
10d	Valve Bottom	2	E-061003*	Brass
10e	Clip (Red)	1	E-012024H*	Plastic
	Clip (Blue)	1	E-012024C*	Plastic
11	Reducer	2	E-035002	Brass
12	Hose	2	E-105011	Hose
13	Spout	1	E-100041CP	Chrome
14	Spout Shaft	1	E-014006	Brass
15	O-Ring	1	E-004010N	Rubber
16	Rubber Washer	1	E-010023	Rubber
17	Lock Nut	1	E-054027	Brass
18	"T" Connector	1	E-015007	Brass

\* Grayed parts are not available individually. "Assembled" item required.

by Associated Marketing Concepts  
 21624 Marilla Street, Chatsworth, CA 91311-4123  
 (800) 270-4262 \* (818) 678-1651 \* FAX (818) 678-1655  
[www.ambassador-amc.com](http://www.ambassador-amc.com)