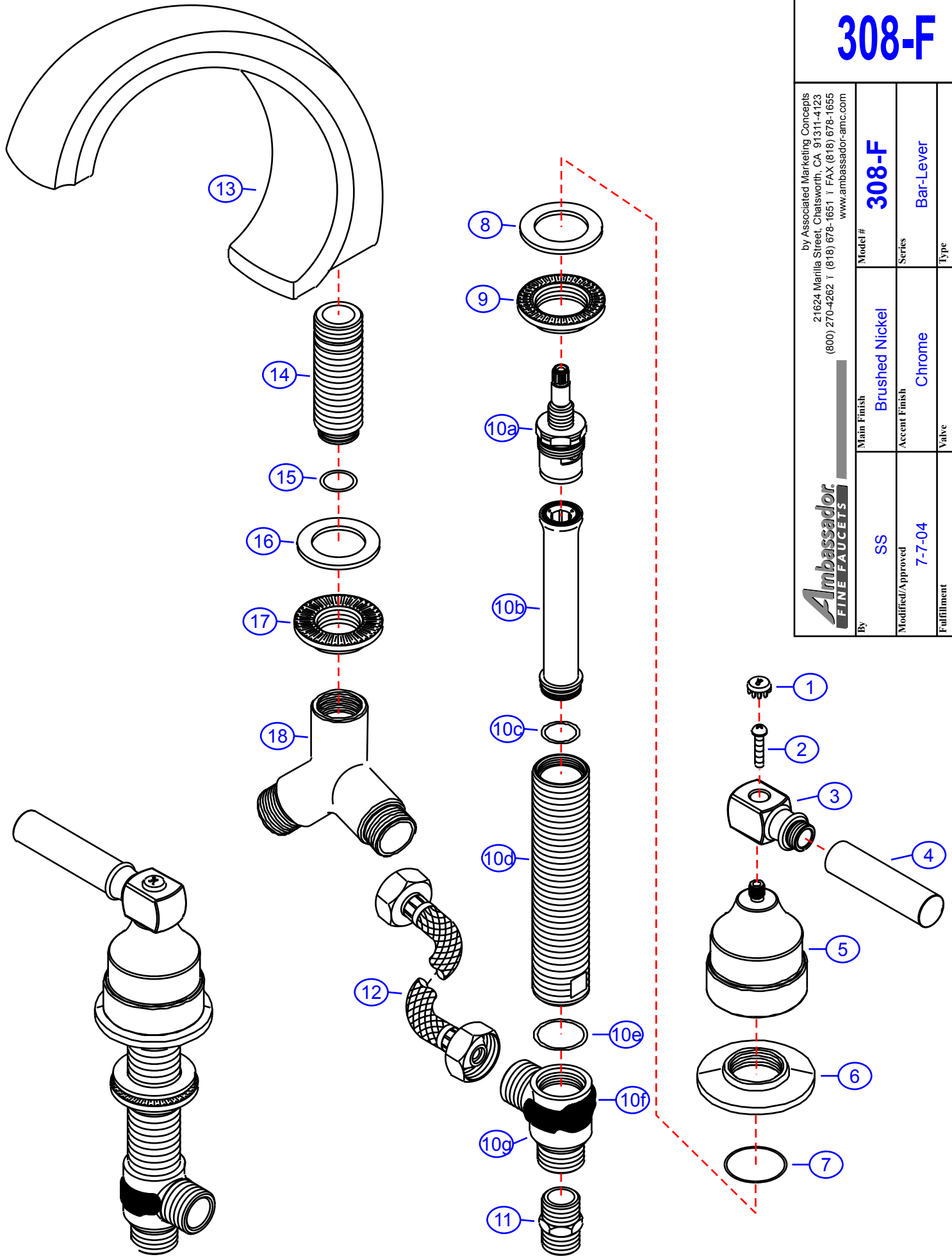


308-F

by Associated Marketing Concepts
 21624 Manilla Street, Chatsworth, CA 91311-4123
 (800) 270-4262 | (818) 678-1651 | FAX (818) 678-1655
 www.ambassador-amc.com

Ambassador
 FINE FAUCETS

By	SS	Main Finish	Brushed Nickel	Model #	308-F
Modified/Approved	7-7-04	Accent Finish	Chrome	Series	Bar-Lever
Fulfillment	FR2B2007NC	Valve	Ceramic Disk	Type	Roman/Whirlpool Tub



308-F



Bar-Lever Roman/Whirlpool Tub- CD/NC

#	Description	Quantity	Part #	Finish
1	Cap "H"	1	E-206041HNP	Brushed Nickel
	Cap "C"	1	E-206041CNP	Brushed Nickel
2	Handle Screw	2	E-075070	Metal
3	Handle Head	2	E-077061CP	Chrome
4	Handle Tip	2	E-138005CP	Chrome
5	Canopy	2	E-078055NP	Brushed Nickel
6	Escutcheon	2	E-204016CP	Chrome
7	O-Ring	2	E-048054	Rubber
8	Rubber Washer	2	E-010022	Rubber
9	Lock Nut	2	E-054026	Brass
10	Valve Body (Assembled) Hot	1	EA-550112H	Brass
	Valve Body (Assembled) Cold	1	EA-550112C	Brass
10a	Cartridge (Hot)	1	E-507055	Ceramic Disc
	Cartridge (Cold)	1	E-507056	Ceramic Disc
10b	Sleeve	2	E-035105*	Brass
10c	O-Ring	2	E-004074*	Rubber
10d	Body	2	E-014137*	Brass
10e	O-Ring	2	E-004081*	Rubber
10f	Clip (Red)	1	E-012024H*	Plastic
	Clip (Blue)	1	E-012024C*	Plastic
10g	Valve Bottom	2	E-055088*	Brass
11	Reducer	2	E-035002	Brass
12	Hose	2	E-105011	Hose
13	Spout	1	E-100039NP	Brushed Nickel
14	Spout Shaft	1	E-014006	Brass
15	O-Ring	1	E-004010N	Rubber
16	Rubber Washer	1	E-010023	Rubber
17	Lock Nut	1	E-054027	Brass
18	"Y" Connector	1	E-015007	Brass

* Grayed parts are not available individually. "Assembled" item required.

by Associated Marketing Concepts
 21624 Marilla Street, Chatsworth, CA 91311-4123
 (800) 270-4262 * (818) 678-1651 * FAX (818) 678-1655
www.ambassador-amc.com