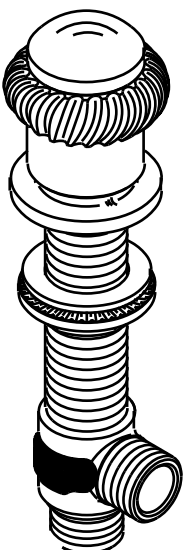
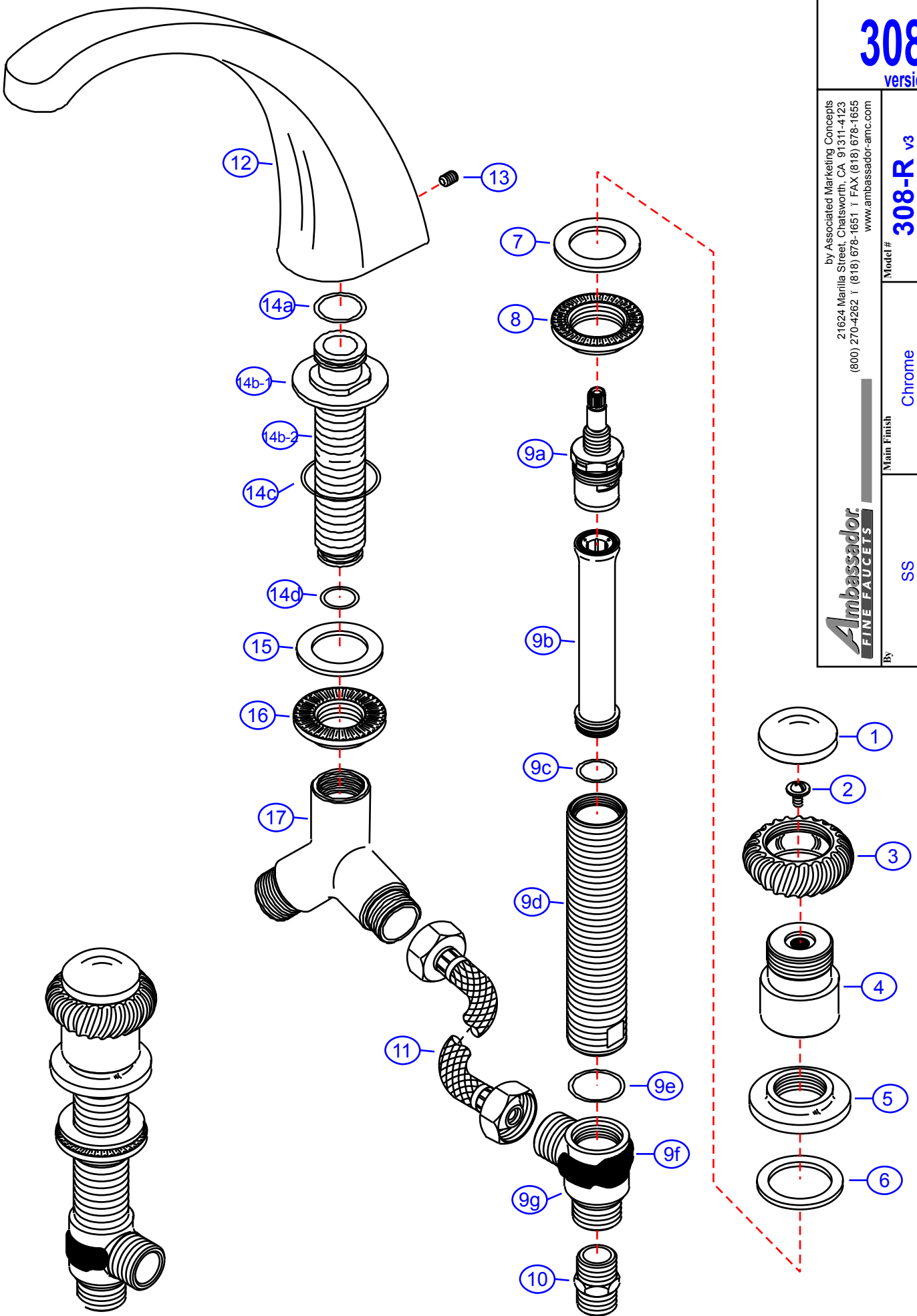


# 308-R

version 3

by Associated Marketing Concepts  
 21624 Marilla Street, Chatsworth, CA 91311-4123  
 (800) 270-4262 | (818) 678-1651 | FAX (818) 678-1655  
 www.ambassador-amc.com

By	SS	Chrome	Model #	<b>308-R v3</b>
Modified/Approved	3-8-04	18k Gold	Series	Rope Ring
Fulfillment	FR2B2005CG	Ceramic Disk	Valve	Roman/Whirlpool Tub



# 308-R v3



## Rope Ring Roman/Whirlpool Tub- CD/CG

#	Description	Quantity	Part #	Finish
1	Cap	2	E-206082CP	Chrome
2	Handle Screw	2	E-008000CP	Chrome
3	Trim Ring	2	E-218022GP	Gold
4	Canopy	2	E-215018CP	Chrome
5	Escutcheon	2	E-204015GP	Gold
6	Rubber Washer	2	E-010022	Rubber
7	Rubber Washer	2	E-010022	Rubber
8	Lock Nut	2	E-054026	Brass
9	Valve Body (Assembled) Hot	2	EA-550112H	Brass
9a	Cartridge (Hot)	2	E-507055	Ceramic Disc
9b	Sleeve	2	E-035105*	Brass
9c	O-Ring	2	E-004074*	Rubber
9d	Body	2	E-014137*	Brass
9e	O-Ring	2	E-004081*	Rubber
9f	Clip (Red)	2	E-012024H*	Plastic
9g	Valve Bottom	2	E-055088*	Brass
10	Reducer	2	E-035002	Brass
11	Hose	2	E-105011	Hose
12	Spout	1	E-132029CP	Chrome
13	Set Screw	1	E-065027	Metal
14	Spout Shaft (Assembled)	1	G-X1112	Brass
14a	O-Ring	1	E-063031	Rubber
14b	Spout Shaft Base (Assembled)	1	EA-014068*	Brass
14b-1	Base	1	E-070002*	Brass
14b-2	Shaft	1	E-014067*	Brass
14c	O-Ring	1	E-004057	Rubber
14d	O-Ring	1	E-004010N	Rubber
15	Rubber Washer	1	E-010023	Rubber
16	Lock Nut	1	E-054027	Brass
17	"Y" Connector	1	E-015007	Brass

\* Grayed parts are not available individually. "Assembled" item required.

by Associated Marketing Concepts  
 21624 Marilla Street, Chatsworth, CA 91311-4123  
 (800) 270-4262 \* (818) 678-1651 \* FAX (818) 678-1655  
[www.ambassador-amc.com](http://www.ambassador-amc.com)