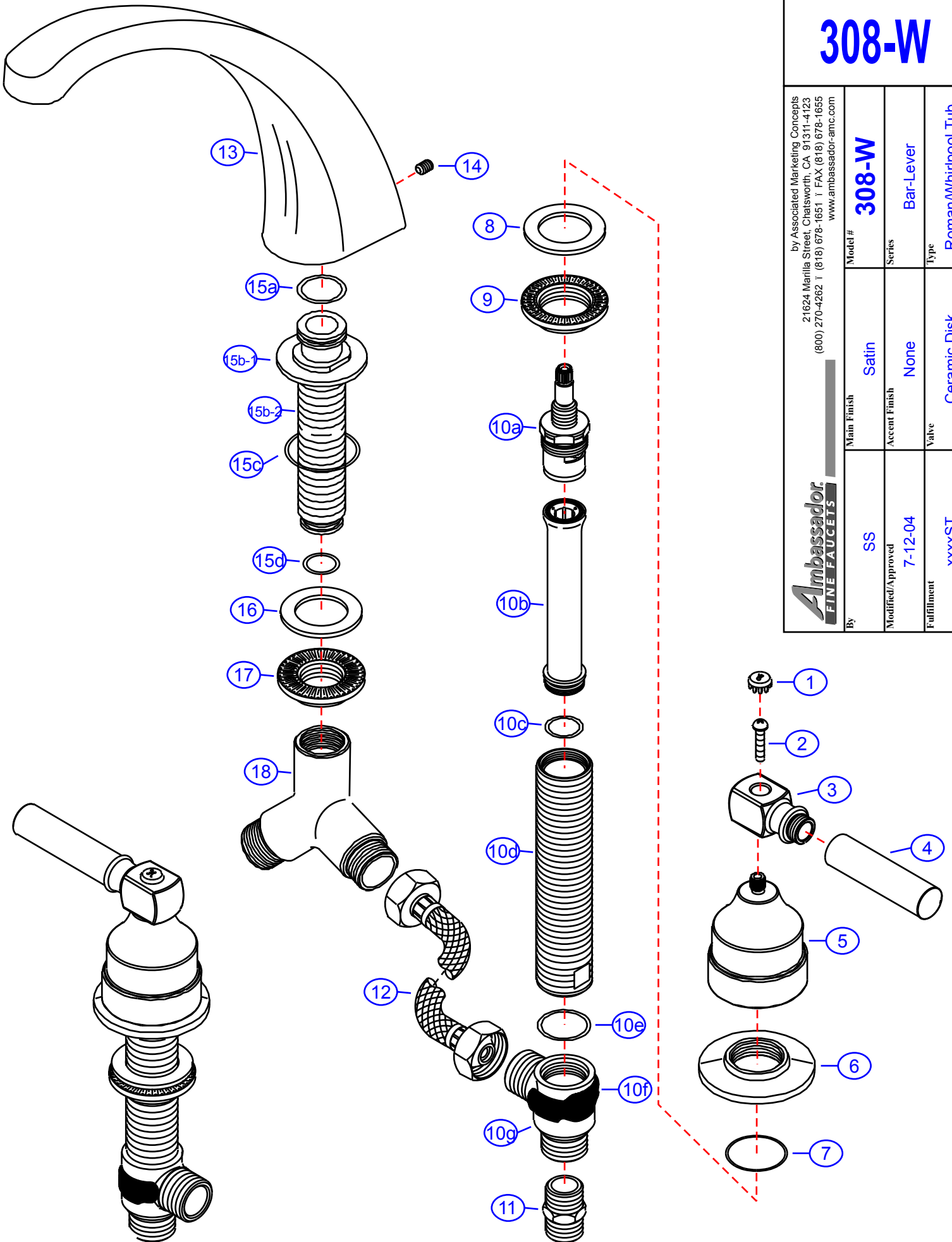


# 308-W

by Associated Marketing Concepts  
 21624 Manilla Street, Chatsworth, CA 91311-4123  
 (800) 270-4262 | (818) 678-1651 | FAX (818) 678-1655  
 www.ambassador-amc.com

**Ambassador**  
 FINE FAUCETS

|                   |         |               |              |         |                     |
|-------------------|---------|---------------|--------------|---------|---------------------|
| By                | SS      | Main Finish   | Satin        | Model # | 308-W               |
| Modified/Approved | 7-12-04 | Accent Finish | None         | Series  | Bar-Lever           |
| Fulfillment       | xxxxST  | Valve         | Ceramic Disk | Type    | Roman/Whirlpool Tub |



# 308-W



## Bar-Lever Roman/Whirlpool Tub- CD/ST

| #     | Description                  | Quantity | Part #      | Finish       |
|-------|------------------------------|----------|-------------|--------------|
| 1     | Cap "H"                      | 1        | E-206041HST | Satin        |
|       | Cap "C"                      | 1        | E-206041CST | Satin        |
| 2     | Handle Screw                 | 2        | E-075070    | Metal        |
| 3     | Handle Head                  | 2        | E-077061ST  | Satin        |
| 4     | Handle Tip                   | 2        | E-138005ST  | Satin        |
| 5     | Canopy                       | 2        | E-078055ST  | Satin        |
| 6     | Escutcheon                   | 2        | E-204016ST  | Satin        |
| 7     | O-Ring                       | 2        | E-048054    | Rubber       |
| 8     | Rubber Washer                | 2        | E-010022    | Rubber       |
| 9     | Lock Nut                     | 2        | E-054026    | Brass        |
| 10    | Valve Body (Assembled) Hot   | 1        | EA-550112H  | Brass        |
|       | Valve Body (Assembled) Cold  | 1        | EA-550112C  | Brass        |
| 10a   | Cartridge (Hot)              | 1        | E-507055    | Ceramic Disc |
|       | Cartridge (Cold)             | 1        | E-507056    | Ceramic Disc |
| 10b   | Sleeve                       | 2        | E-035105*   | Brass        |
| 10c   | O-Ring                       | 2        | E-004074*   | Rubber       |
| 10d   | Body                         | 2        | E-014137*   | Brass        |
| 10e   | O-Ring                       | 2        | E-004081*   | Rubber       |
| 10f   | Clip (Red)                   | 1        | E-012024H*  | Plastic      |
|       | Clip (Blue)                  | 1        | E-012024C*  | Plastic      |
| 10g   | Valve Bottom                 | 2        | E-055088*   | Brass        |
| 11    | Reducer                      | 2        | E-035002    | Brass        |
| 12    | Hose                         | 2        | E-105011    | Hose         |
| 13    | Spout                        | 1        | E-132029ST  | Satin        |
| 14    | Set Screw                    | 1        | E-065027    | Metal        |
| 15    | Spout Shaft (Assembled)      | 1        | G-X1112     | Brass        |
| 15a   | O-Ring                       | 1        | E-063031    | Rubber       |
| 15b   | Spout Shaft Base (Assembled) | 1        | EA-014068*  | Brass        |
| 15b-1 | Base                         | 1        | E-070002*   | Brass        |
| 15b-2 | Shaft                        | 1        | E-014067*   | Brass        |
| 15c   | O-Ring                       | 1        | E-004057    | Rubber       |
| 15d   | O-Ring                       | 1        | E-004010N   | Rubber       |
| 16    | Rubber Washer                | 1        | E-010023    | Rubber       |
| 17    | Lock Nut                     | 1        | E-054027    | Brass        |
| 18    | "Y" Connector                | 1        | E-015007    | Brass        |

\* Grayed parts are not available individually. "Assembled" item required.

by Associated Marketing Concepts  
21624 Marilla Street, Chatsworth, CA 91311-4123  
(800) 270-4262 \* (818) 678-1651 \* FAX (818) 678-1655  
www.ambassador-amc.com