

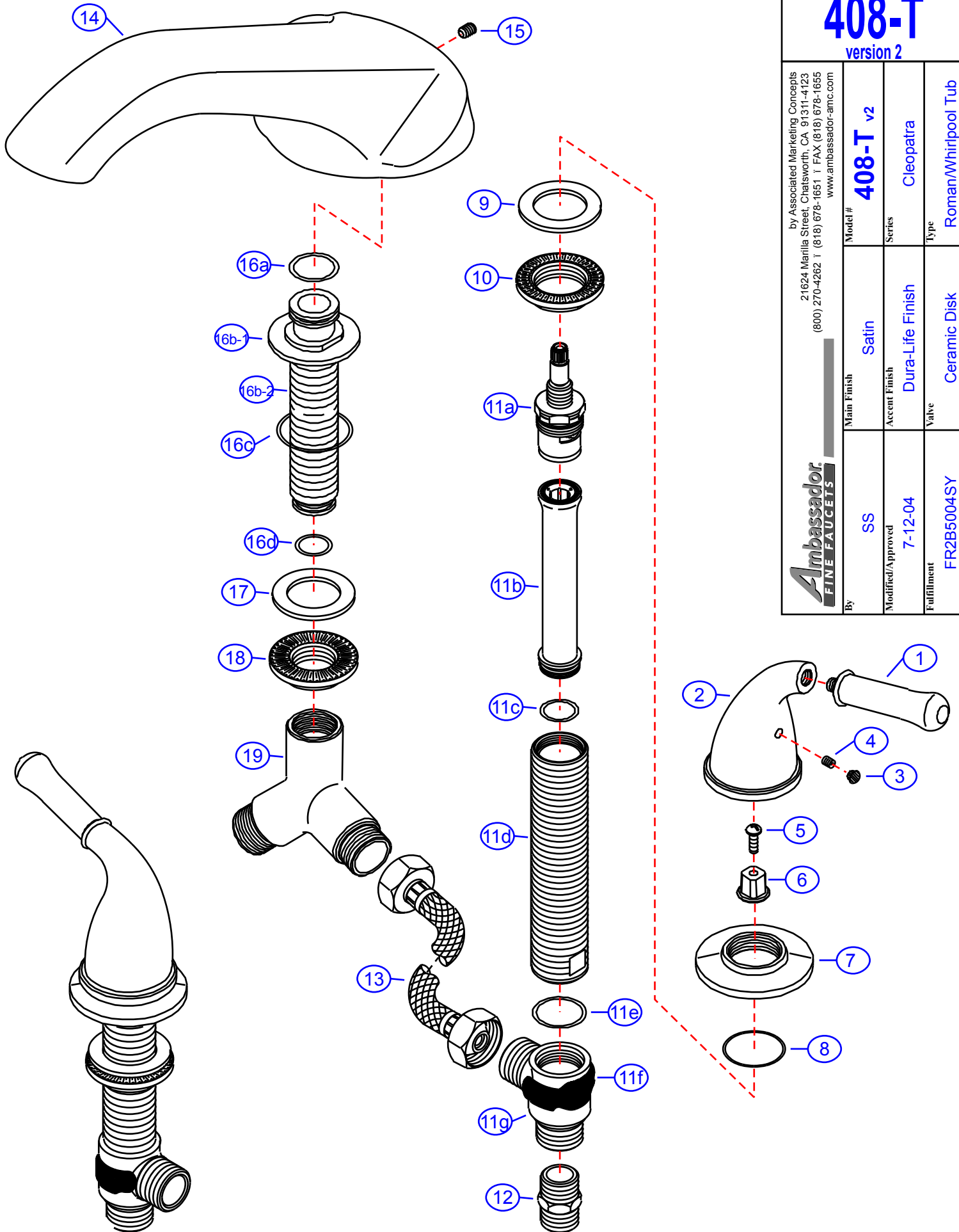
408-T

version 2

by Associated Marketing Concepts
 21624 Marilla Street, Chatsworth, CA 91311-4123
 (800) 270-4262 | (818) 678-1651 | FAX (818) 678-1655
 www.ambassador-amc.com

Ambassador
 FINE FAUCETS

By	SS	Main Finish	Satin	Model #	408-T v2
Modified/Approved	7-12-04	Accent Finish	Dura-Life Finish	Series	Cleopatra
Fulfillment	FR2B5004SY	Valve	Ceramic Disk	Type	Roman/Whirlpool Tub



408-T v2



Cleopatra Roman/Whirlpool Tub- CD/SY

#	Description	Quantity	Part #	Finish
1	Handle Tip	2	E-108072YP	Dura-Life Finish
2	Handle Canopy	2	E-018079ST	Satin
3	Red Plug	1	E-028046H	Rubber
	Blue Plug	1	E-028046C	Rubber
4	Set Screw	2	E-008003	Metal
5	Handle Screw	2	E-008044CP	Chrome
6	Adapter	2	E-110027	Metal
7	Escutcheon	2	E-204016YP	Dura-Life Finish
8	O-Ring	2	E-048054	Rubber
9	Rubber Washer	2	E-010022	Rubber
10	Lock Nut	2	E-054026	Brass
11	Valve Body (Assembled) Hot	1	EA-550112H	Brass
	Valve Body (Assembled) Cold	1	EA-550112C	Brass
11a	Cartridge (Hot)	1	E-507055	Ceramic Disc
	Cartridge (Cold)	1	E-507056	Ceramic Disc
11b	Sleeve	2	E-035105*	Brass
11c	O-Ring	2	E-004074*	Rubber
11d	Body	2	E-014137*	Brass
11e	O-Ring	2	E-004081*	Rubber
11f	Clip (Red)	1	E-012024H*	Plastic
	Clip (Blue)	1	E-012024C*	Plastic
11g	Valve Bottom	2	E-055088*	Brass
12	Reducer	2	E-035002	Brass
13	Hose	2	E-105011	Hose
14	Spout	1	E-132027ST	Satin
15	Set Screw	1	E-065027	Metal
16	Spout Shaft (Assembled)	1	G-X1112	Brass
16a	O-Ring	1	E-063031	Rubber
16b	Spout Shaft Base (Assembled)	1	EA-014068*	Brass
16b-1	Base	1	E-070002*	Brass
16b-2	Shaft	1	E-014067*	Brass
16c	O-Ring	1	E-004057	Rubber
16d	O-Ring	1	E-004010N	Rubber
17	Rubber Washer	1	E-010023	Rubber
18	Lock Nut	1	E-054027	Brass
19	"Y" Connector	1	E-015007	Brass

* Grayed parts are not available individually. "Assembled" item required.

by Associated Marketing Concepts
 21624 Marilla Street, Chatsworth, CA 91311-4123
 (800) 270-4262 * (818) 678-1651 * FAX (818) 678-1655
www.ambassador-amc.com