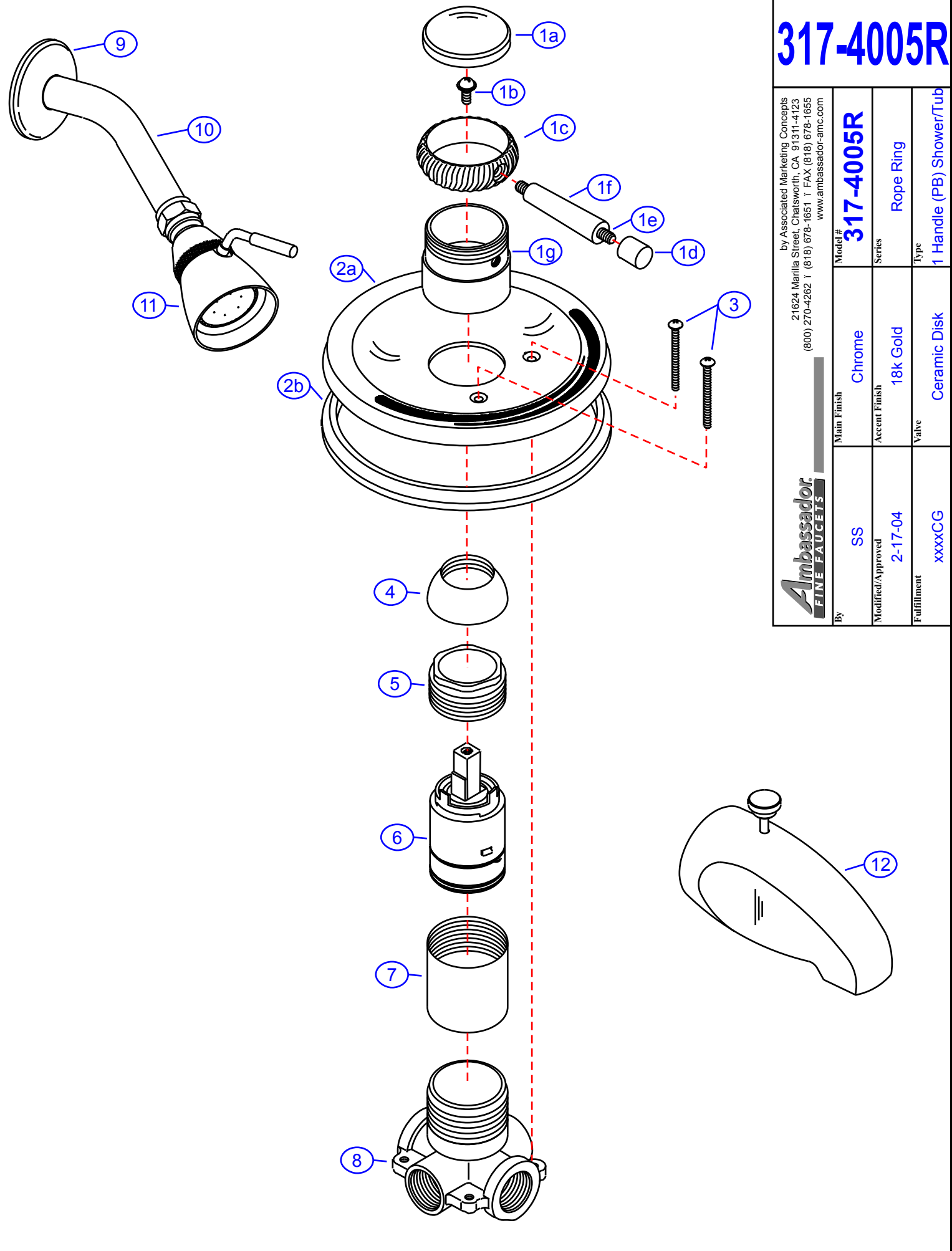


317-4005R

by Associated Marketing Concepts
 21624 Manilla Street, Chatsworth, CA 91311-4123
 (800) 270-4262 | (818) 678-1651 | FAX (818) 678-1655
 www.ambassador-amc.com



By	SS	Main Finish	Chrome	Model #	317-4005R
Modified/Approved	2-17-04	Accent Finish	18k Gold	Series	Rope Ring
Fulfillment	xxxxCG	Valve	Ceramic Disk	Type	1 Handle (PB) Shower/Tub



317-4005R



Rope Ring 1 Handle (PB) Shower/Tub- PB/CG

#	Description	Quantity	Part #	Finish
1	Handle (Assembled)	1	G-AxxxxCG	Chrome/Gold
1a	Cap	1	E-206047CP	Chrome
1b	Handle Screw	1	E-008000	Metal
1c	Trim Ring	1	E-218021GP*	Gold
1d	Handle Tip	1	E-109006GP*	Gold
1e	Handle Rod	1	E-017015*	Brass
1f	Handle Sleeve	1	E-108039CP*	Chrome
1g	Canopy	1	G-xxxxCP*	Chrome
2	Face Plate (Assembled)	1	G-AxxxxCP	Chrome
2a	Face Plate	1	G-xxxxCP*	Chrome
2b	Gasket	1	E-060055	Rubber
3	Screw	2	G-xxxxCP	Chrome
4	Cap	1	G-xxxx	Chrome
5	Retainer Ring	1	G-xxxx	Brass
6	Cartridge	1	G-50712	Plastic
7	Sleeve	1	G-xxxxCP	Ceramic Disc
8	Valve	1	G-xxxx	Brass
9	Shower Arm Escutcheon	1	E-019001GP	Gold
10	Shower Arm	1	E-020002GP	Gold
11	Shower Head	1	E-S11B0200CP	Chrome
12	Tub Spout	1	E-100032GP	Gold

* Grayed parts are not available individually. "Assembled" item required.

by Associated Marketing Concepts
 21624 Marilla Street, Chatsworth, CA 91311-4123
 (800) 270-4262 * (818) 678-1651 * FAX (818) 678-1655
www.ambassador-amc.com