

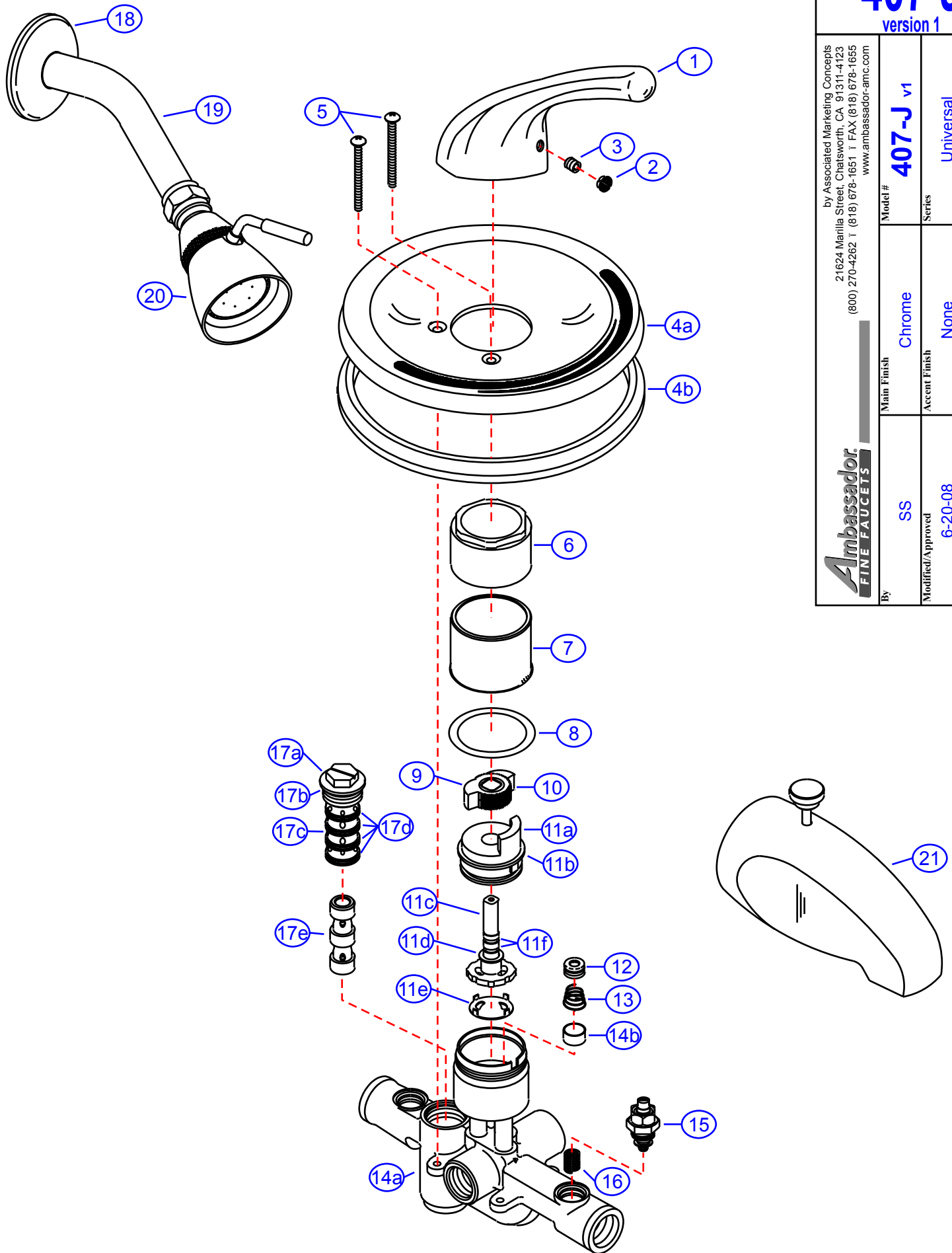
407-J

version 1

by Associated Marketing Concepts
21624 Marilla Street, Chatsworth, CA 91311-4123
(800) 270-4262 | (818) 678-1651 | FAX (818) 678-1655
www.ambassador-amc.com

Ambassador
FINE FAUCETS

By	SS	Main Finish	Chrome	Model #	407-J v1
Modified/Approved	6-20-08	Accent Finish	None	Series	Universal
Fulfillment	F1215700CP	Valve	Standard (Washerless)	Type	1 Handle (PB) Shower/Tub



407-J v1



Universal 1 Handle (PB) Shower/Tub- PB/CP

#	Description	Quantity	Part #	Finish
1	Handle	1	E-029046CP	Chrome
2	Plug (Blue/Red)	1	E-028065	Rubber
3	Set Screw	1	E-008103	Metal
4	Face Plate (Assembled)	1	EA-556100CP	Chrome
4a	Face Plate	1	E-007041CP*	Chrome
4b	Gasket	1	E-060055	Rubber
5	Screw	2	E-075143CP	Chrome
6	Retainer Nut	1	E-103020CP	Chrome
7	Sleeve	1	E-217005CP	Chrome
8	O-Ring	1	E-004008	Rubber
9	Temp. Restrictor A	1	E-049000	Plastic
10	Temp. Restrictor B	1	E-049001	Plastic
11	Cartridge (Assembled)	1	EA-507049	Plastic/Rubber/Metal
11a	Cartridge Body	1	E-214011*	Plastic
11b	O-Ring	1	E-048016*	Rubber
11c	Cartridge Stem	1	E-024112*	Brass
11d	Metal Washer	1	E-013050*	Metal
11e	Stem Plate	1	E-308006*	Metal
11f	O-Ring	2	E-004118*	Rubber
12	Seat	2	E-101000	Rubber
13	Spring	2	E-005017	Metal
14	Valve (Assembled)	1	G-xxxx	Brass
14a	Valve	1	G-xxxx*	Brass
14b	Seat&Spring Housing	2	G-xxxx*	Stainless Steel
15	Shut Off Valve	2	E-507037	Brass/Rubber
16	Shut Off Valve Spring	2	E-005012	Metal
17	PB System (Assembled)	1	EA-507041	Brass/Metal/Rubber
17a	PB Head	1	E-009094*	Brass
17b	O-Ring	1	E-048025*	Rubber
17c	PB Spool	1	E-214015*	Metal
17d	O-Ring	4	E-048024*	Rubber
17e	PB Tumbler	1	E-208041*	Metal
18	Shower Arm Escutcheon	1	E-019001CP	Chrome
19	Shower Arm	1	E-020002CP	Chrome
20	Shower Head	1	E-S11B0200CP	Chrome
21	Tub Spout	1	E-100032CP	Chrome

* Grayed parts are not available individually. "Assembled" item required.

by Associated Marketing Concepts
 21624 Marilla Street, Chatsworth, CA 91311-4123
 (800) 270-4262 * (818) 678-1651 * FAX (818) 678-1655
www.ambassador-amc.com