

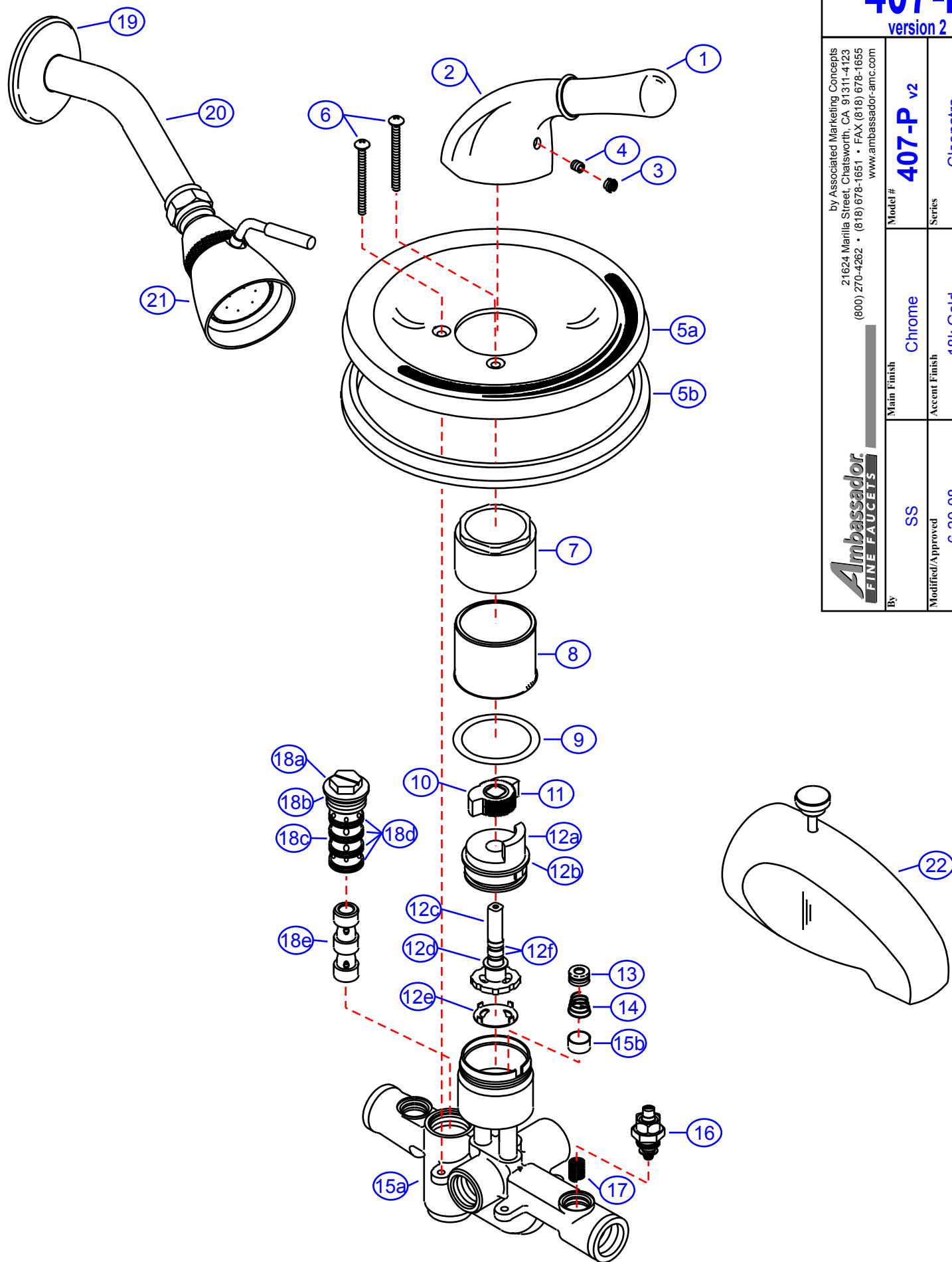
# 407-P

version 2

by Associated Marketing Concepts  
21624 Marilla Street, Chatsworth, CA 91311-4123  
(800) 270-4262 • (818) 678-1651 • FAX (818) 678-1655  
www.ambassador-amc.com

**Ambassador**  
FINE FAUCETS

By	SS	Main Finish	Chrome	Model #	407-P v2
Modified/Approved	6-20-08	Accent Finish	18k Gold	Series	Cleopatra
Fulfillment	F1215701CG	Valve	Standard (Washerless)	Type	1 Handle (PB) Shower/Tub



# 407-P v2



## Cleopatra 1 Handle (PB) Shower/Tub- PB/CG

#	Description	Quantity	Part #	Finish
1	Handle Tip	1	E-552019GP	Gold
2	Handle Canopy	1	E-018072CP	Chrome
3	Plug (Blue/Red)	1	E-028065	Rubber
4	Set Screw	1	E-008103	Metal
5	Face Plate (Assembled)	1	EA-556100CP	Chrome
5a	Face Plate	1	E-007041CP*	Chrome
5b	Gasket	1	E-060055	Rubber
6	Screw	2	E-075143CP	Chrome
7	Retainer Nut	1	E-103020CP	Chrome
8	Sleeve	1	E-217005CP	Chrome
9	O-Ring	1	E-004008	Rubber
10	Temp. Restrictor A	1	E-049000	Plastic
11	Temp. Restrictor B	1	E-049001	Plastic
12	Cartridge (Assembled)	1	EA-507049	Plastic/Rubber/Metal
12a	Cartridge Body	1	E-214011*	Plastic
12b	O-Ring	1	E-048016*	Rubber
12c	Cartridge Stem	1	E-024112*	Brass
12d	Metal Washer	1	E-013050*	Metal
12e	Stem Plate	1	E-308006*	Metal
12f	O-Ring	2	E-004118*	Rubber
13	Seat	2	E-101036	Rubber
14	Spring	2	E-005000	Metal
15	Valve (Assembled)	1	G-X3111	Brass
15a	Valve	1	E-044061*	Brass
15b	Seat&Spring Housing	2	E-106001*	Stainless Steel
16	Shut Off Valve	2	E-507037	Brass/Rubber
17	Shut Off Valve Spring	2	E-005012	Metal
18	PB System (Assembled)	1	EA-507041	Brass/Metal/Rubber
18a	PB Head	1	E-009094*	Brass
18b	O-Ring	1	E-048025*	Rubber
18c	PB Spool	1	E-214015*	Metal
18d	O-Ring	4	E-048024*	Rubber
18e	PB Tumbler	1	E-208041*	Metal
19	Shower Arm Escutcheon	1	E-019001GP	Gold
20	Shower Arm	1	E-020002GP	Gold
21	Shower Head	1	E-S11B0200CP	Chrome
22	Tub Spout	1	E-100032GP	Gold

\* Grayed parts are not available individually. "Assembled" item required.

by Associated Marketing Concepts  
 21624 Marilla Street, Chatsworth, CA 91311-4123  
 (800) 270-4262 \* (818) 678-1651 \* FAX (818) 678-1655  
[www.ambassador-amc.com](http://www.ambassador-amc.com)