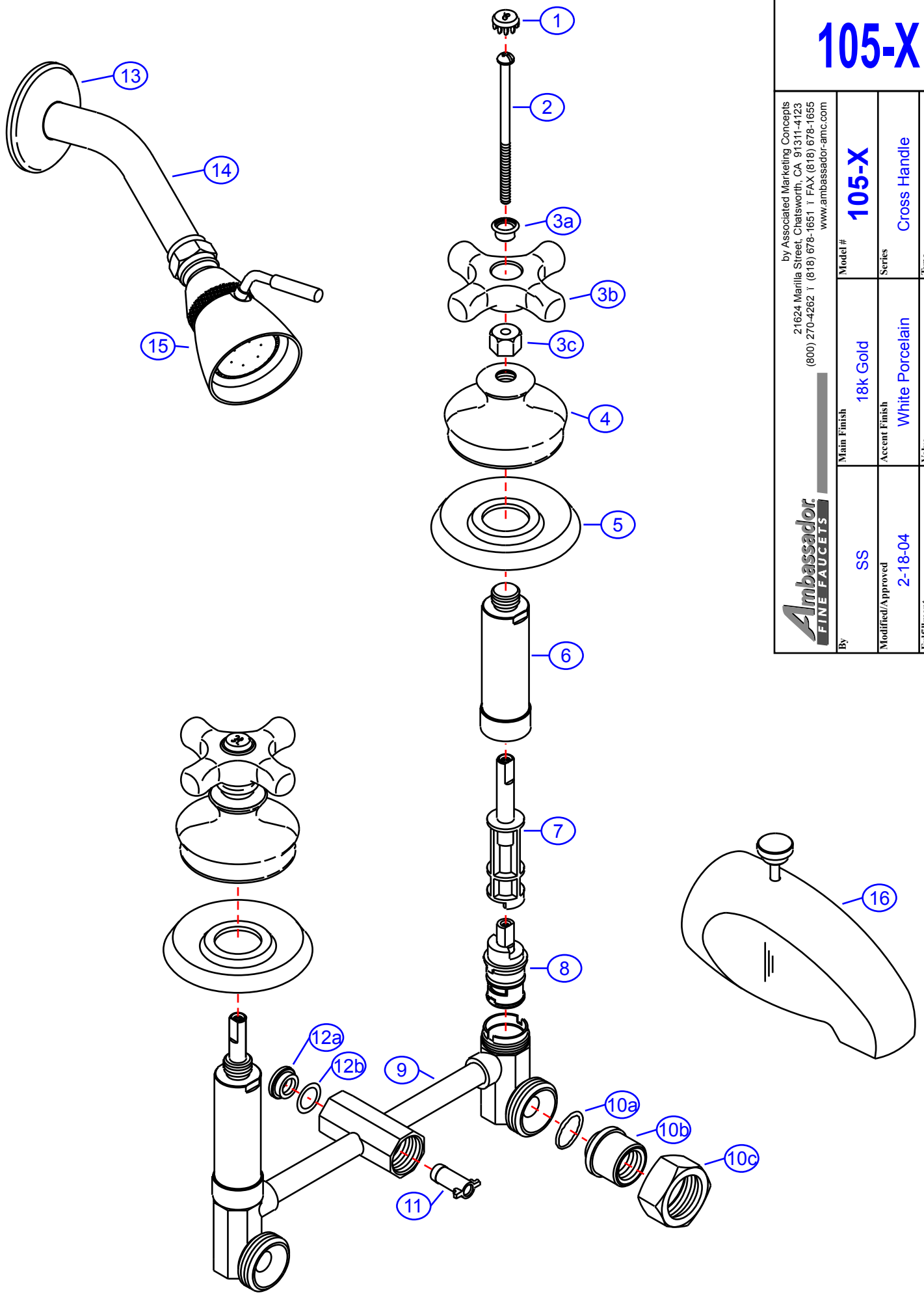


105-X

by Associated Marketing Concepts
 21624 Marilla Street, Chatsworth, CA 91311-4123
 (800) 270-4262 | (818) 678-1651 | FAX (818) 678-1655
 www.ambassador-amc.com



By	SS	Main Finish	18k Gold	Model #	105-X
Modified/Approved	2-18-04	Accent Finish	White Porcelain	Series	Cross Handle
Fulfillment	xxxGW	Valve	Ceramic Disk	Type	2 Handle Shower/Tub



105-X



Cross Handle 2 Handle Shower/Tub- CD/GP

#	Description	Quantity	Part #	Finish
1	Cap "H"	1	E-206041HGP	Gold
	Cap "C"	1	E-206041CGP	Gold
2	Handle Screw	2	E-008019	Metal
3	Cross Widespread Handle	2	G-A90129GP	Gold/Porcelain
3a	Screw Housing	2	E-309000GP	Gold
3b	Handle (Cross)	2	E-108025WH	Porcelain
3c	Stem Adapter	2	E-230001	Brass
4	Canopy	2	E-018021GP	Gold
5	Escutcheon	2	E-111001GP	Gold
6	Retainer Nut	2	E-216002GP	Gold
7	Stem Extension (Hot)	1	E-110009H	Plastic/Brass
	Stem Extension (Cold)	1	E-110009C	Plastic/Brass
8	Cartridge (Hot)	1	E-507003NH	Ceramic Disc
	Cartridge (Cold)	1	E-507003NC	Ceramic Disc
9	Valve Body	1	E-002070	Brass
10	Union Nut (Assembled)	2	EA-504100	Brass
10a	O-Ring	2	E-004064	Rubber
10b	Union Sleeve	2	E-009028*	Brass
10c	Union Nut	2	E-009001*	Brass
11	Diverter Spindle	1	E-208022	Plastic
12	Diverter Cap (Assembled)	1	G-A55400	Plastic/Rubber
12a	Diverter Cap	1	E-209000*	Plastic
12b	O-Ring	1	E-004070*	Rubber
13	Shower Arm Escutcheon	1	E-019001GP	Gold
14	Shower Arm	1	E-020002GP	Gold
15	Shower Head	1	E-S11B0200GP	Gold
16	Tub Spout	1	E-100032GP	Gold

* Grayed parts are not available individually. "Assembled" item required.

by Associated Marketing Concepts

21624 Marilla Street, Chatsworth, CA 91311-4123

(800) 270-4262 * (818) 678-1651 * FAX (818) 678-1655

www.ambassador-amc.com