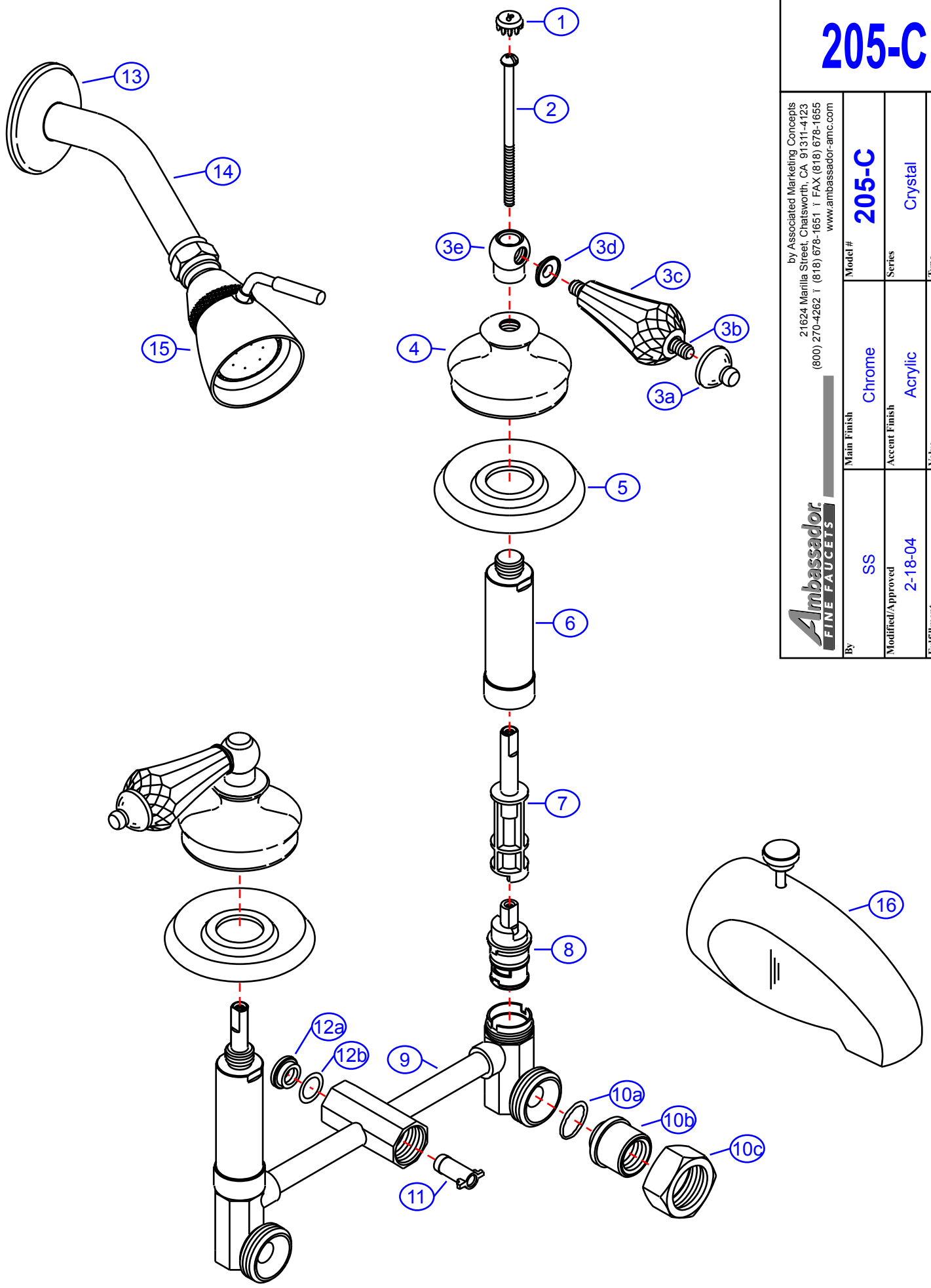


205-C

by Associated Marketing Concepts
 21624 Marilla Street, Chatsworth, CA 91311-4123
 (800) 270-4262 | (818) 678-1651 | FAX (818) 678-1655
 www.ambassador-amc.com



By	SS	Main Finish	Chrome	Model #	205-C
Modified/Approved	2-18-04	Accent Finish	Acrylic	Series	Crystal
Fulfillment	xxxCP	Valve	Ceramic Disk	Type	2 Handle Shower/Tub



205-C



Crystal 2 Handle Shower/Tub- CD/CP

#	Description	Quantity	Part #	Finish
1	Cap "H"	1	E-206041HCP	Chrome
	Cap "C"	1	E-206041CCP	Chrome
2	Handle Screw	2	E-008019	Metal
3	Crystal Widespread Handle	2	G-A90130CP	Chrome/Acrylic
3a	Handle Tip	2	E-109003CP	Chrome
3b	Handle Rod	2	E-017045CP	Chrome
3c	Handle (Crystal)	2	E-108034	Acrylic
3d	Handle Spacer	2	E-107034CP	Chrome
3e	Handle Head	2	E-226002CP	Chrome
4	Canopy	2	E-018021CP	Chrome
5	Escutcheon	2	E-111001CP	Chrome
6	Retainer Nut	2	E-216002CP	Chrome
7	Stem Extention (Hot)	1	E-110009H	Plastic/Brass
	Stem Extention (Cold)	1	E-110009C	Plastic/Brass
8	Cartridge (Hot)	1	E-507003NH	Ceramic Disc
	Cartridge (Cold)	1	E-507003NC	Ceramic Disc
9	Valve Body	1	E-002070	Brass
10	Union Nut (Assembled)	2	EA-504100	Brass
10a	O-Ring	2	E-004064	Rubber
10b	Union Sleeve	2	E-009028*	Brass
10c	Union Nut	2	E-009001*	Brass
11	Diverter Spindle	1	E-208022	Plastic
12	Diverter Cap (Assembled)	1	G-A55400	Plastic/Rubber
12a	Diverter Cap	1	E-209000*	Plastic
12b	O-Ring	1	E-004070*	Rubber
13	Shower Arm Escutcheon	1	E-019001CP	Chrome
14	Shower Arm	1	E-020002CP	Chrome
15	Shower Head	1	E-S11B0200CP	Chrome
16	Tub Spout	1	E-100032CP	Chrome

* Grayed parts are not available individually. "Assembled" item required.

by Associated Marketing Concepts
 21624 Marilla Street, Chatsworth, CA 91311-4123
 (800) 270-4262 * (818) 678-1651 * FAX (818) 678-1655
www.ambassador-amc.com