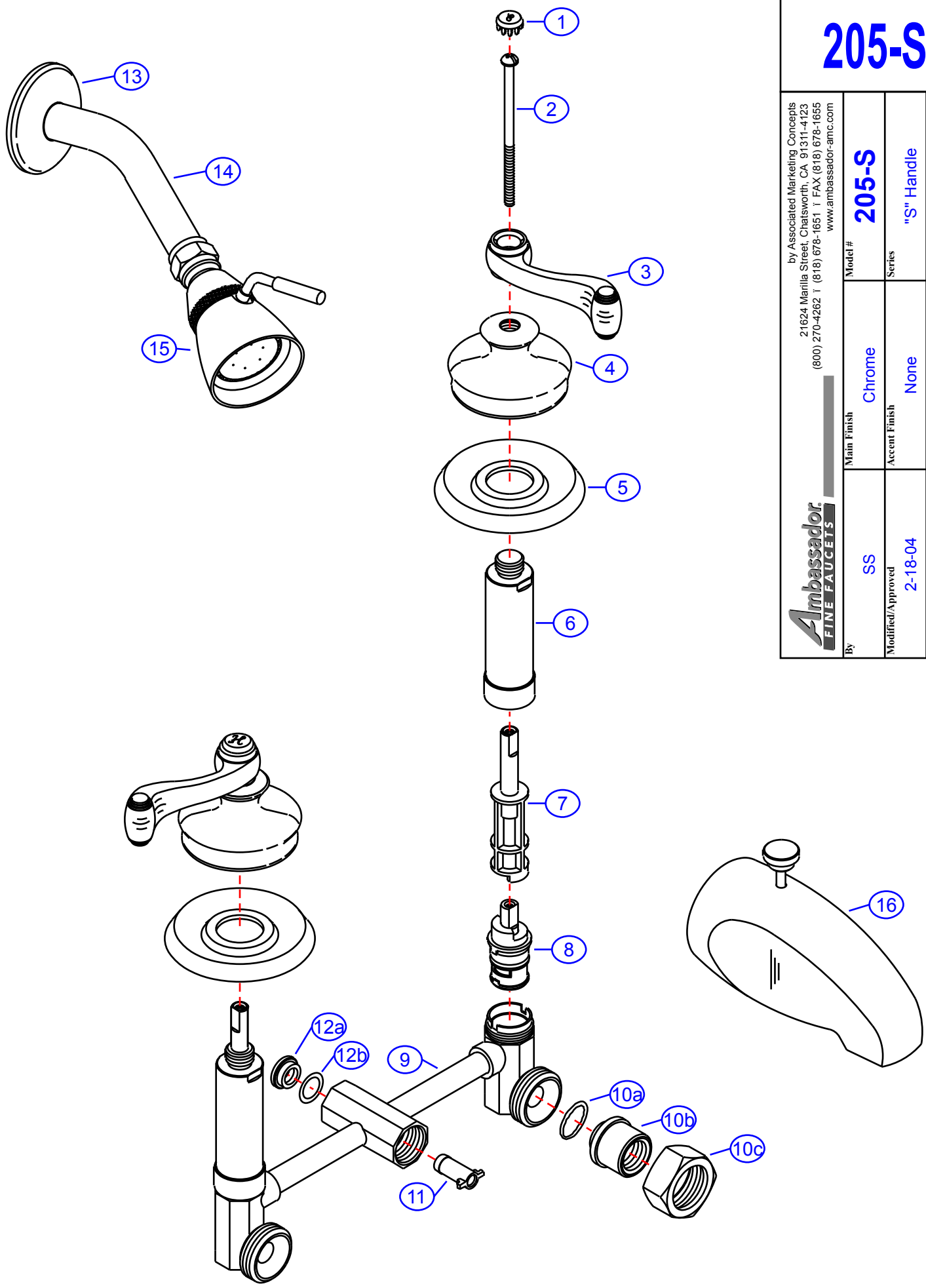


# 205-S

by Associated Marketing Concepts  
 21624 Marilla Street, Chatsworth, CA 91311-4123  
 (800) 270-4262 | (818) 678-1651 | FAX (818) 678-1655  
 www.ambassador-amc.com

**Ambassador**  
 FINE FAUCETS

By	SS	Main Finish	Chrome	Model #	205-S
Modified/Approved	2-18-04	Accent Finish	None	Series	"S" Handle
Fulfillment	F20A8700CP	Valve	Ceramic Disk	Type	2 Handle Shower/Tub



# 205-S



## "S" Handle 2 Handle Shower/Tub- CD/CP

#	Description	Quantity	Part #	Finish
1	Cap "H"	1	E-206041HCP	Chrome
	Cap "C"	1	E-206041CCP	Chrome
2	Handle Screw	2	E-008019	Metal
3	"S" Widespread Handle (Hot)	1	E-108036HCP	Chrome
	"S" Widespread Handle (Cold)	1	E-108036CCP	Chrome
4	Canopy	2	E-018021CP	Chrome
5	Escutcheon	2	E-111001CP	Chrome
6	Retainer Nut	2	E-216002CP	Chrome
7	Stem Extension (Hot)	1	E-110009H	Plastic/Brass
	Stem Extension (Cold)	1	E-110009C	Plastic/Brass
8	Cartridge (Hot)	1	E-507003NH	Ceramic Disc
	Cartridge (Cold)	1	E-507003NC	Ceramic Disc
9	Valve Body	1	E-002070	Brass
10	Union Nut (Assembled)	2	EA-504100	Brass
10a	O-Ring	2	E-004064	Rubber
10b	Union Sleeve	2	E-009028*	Brass
10c	Union Nut	2	E-009001*	Brass
11	Diverter Spindle	1	E-208022	Plastic
12	Diverter Cap (Assembled)	1	G-A55400	Plastic/Rubber
12a	Diverter Cap	1	E-209000*	Plastic
12b	O-Ring	1	E-004070*	Rubber
13	Shower Arm Escutcheon	1	E-019001CP	Chrome
14	Shower Arm	1	E-020002CP	Chrome
15	Shower Head	1	E-S11B0200CP	Chrome
16	Tub Spout	1	E-100032CP	Chrome

\* Grayed parts are not available individually. "Assembled" item required.

by Associated Marketing Concepts  
 21624 Marilla Street, Chatsworth, CA 91311-4123  
 (800) 270-4262 \* (818) 678-1651 \* FAX (818) 678-1655  
[www.ambassador-amc.com](http://www.ambassador-amc.com)