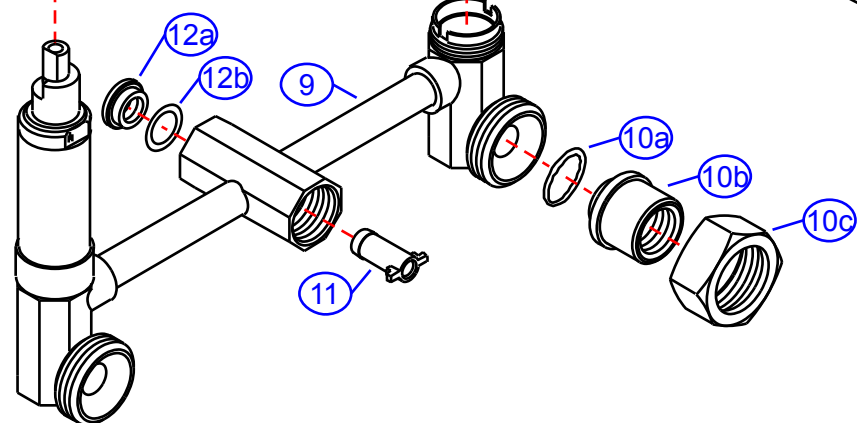
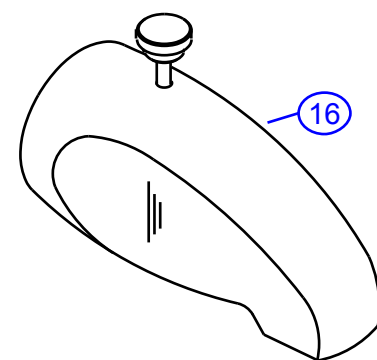
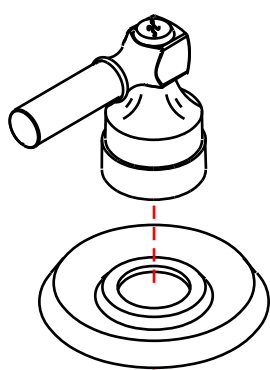
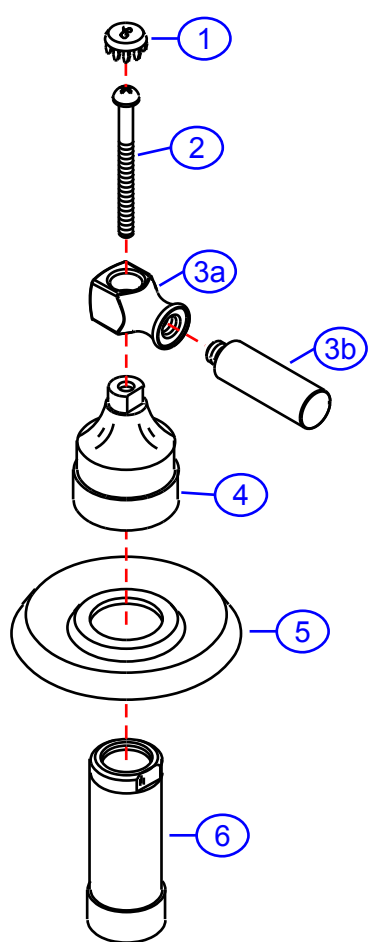
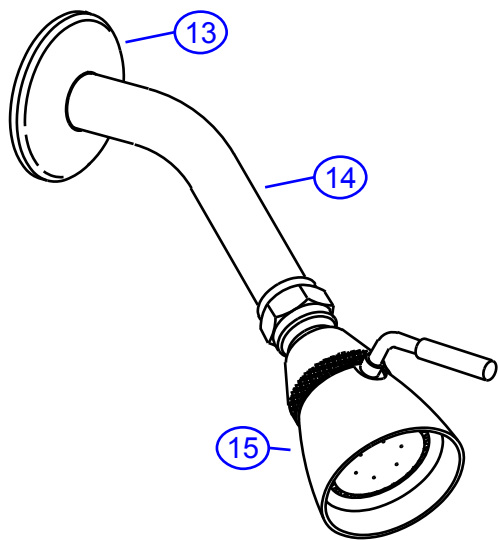


305-F

by Associated Marketing Concepts
 21624 Marilla Street, Chatsworth, CA 91311-4123
 (800) 270-4262 • (818) 678-1651 • FAX (818) 678-1655
 www.ambassador-amc.com

Ambassador
 FINE FAUCETS

By	SS	Main Finish	Brushed Nickel	Model #	305-F
Modified/Approved	2-17-04	Accent Finish	Chrome	Series	Bar-Lever
Fulfillment	F20A5700NC	Valve	Ceramic Disk	Type	2 Handle Shower/Tub



305-F



Bar-Lever 2 Handle Shower/Tub- CD/NC

#	Description	Quantity	Part #	Finish
1	Cap "H"	1	E-206041HNP	Brushed Nickel
	Cap "C"	1	E-206041CNP	Brushed Nickel
2	Handle Screw	2	E-008019	Metal
3	Handle	2	EA-662048CP	Chrome
3a	Handle Head	2	E-107047CP*	Chrome
3b	Handle Tip	2	E-552030CP*	Chrome
4	Handle Canopy (Hot)	1	E-018027HNP	Brushed Nickel
	Handle Canopy (Cold)	1	E-018027CNP	Brushed Nickel
5	Escutcheon	2	E-111001CP	Chrome
6	Retainer Nut	2	E-216000NP	Brushed Nickel
7	Stem Extension (Hot)	1	EA-517000H	Plastic
	Stem Extension (Cold)	1	EA-517000C	Plastic
7a	Stem Extension Fitting (Hot)	1	E-110012H*	Plastic
	Stem Extension Fitting (Cold)	1	E-110012C*	Plastic
7b	Stem Extension Body (Hot)	1	E-110007H*	Plastic
	Stem Extension Body (Cold)	1	E-110007C*	Plastic
8	Cartridge (Hot)	1	E-507003NH	Ceramic Disc
	Cartridge (Cold)	1	E-507003NC	Ceramic Disc
9	Valve	1	E-002070	Brass
10	Union Nut (Assembled)	2	EA-504100	Brass
10a	O-Ring	2	E-004064	Brass
10b	Union Sleeve	2	E-009028*	Brass
10c	Union Nut	2	E-009001*	Brass
11	Diverter Spindle	1	E-208022	Plastic
12	Diverter Cap (Assembled)	1	G-A55400	Plastic/Rubber
12a	Diverter Cap	1	E-209000*	Plastic
12b	O-Ring	1	E-004070*	Rubber
13	Shower Arm Escutcheon	1	E-019001CP	Chrome
14	Shower Arm	1	E-020002CP	Chrome
15	Shower Head	1	E-S11B0200NP	Brushed Nickel
16	Tub Spout	1	E-100032CP	Chrome

* Grayed parts are not available individually. "Assembled" item required.

by Associated Marketing Concepts
 21624 Marilla Street, Chatsworth, CA 91311-4123
 (800) 270-4262 * (818) 678-1651 * FAX (818) 678-1655
www.ambassador-amc.com