

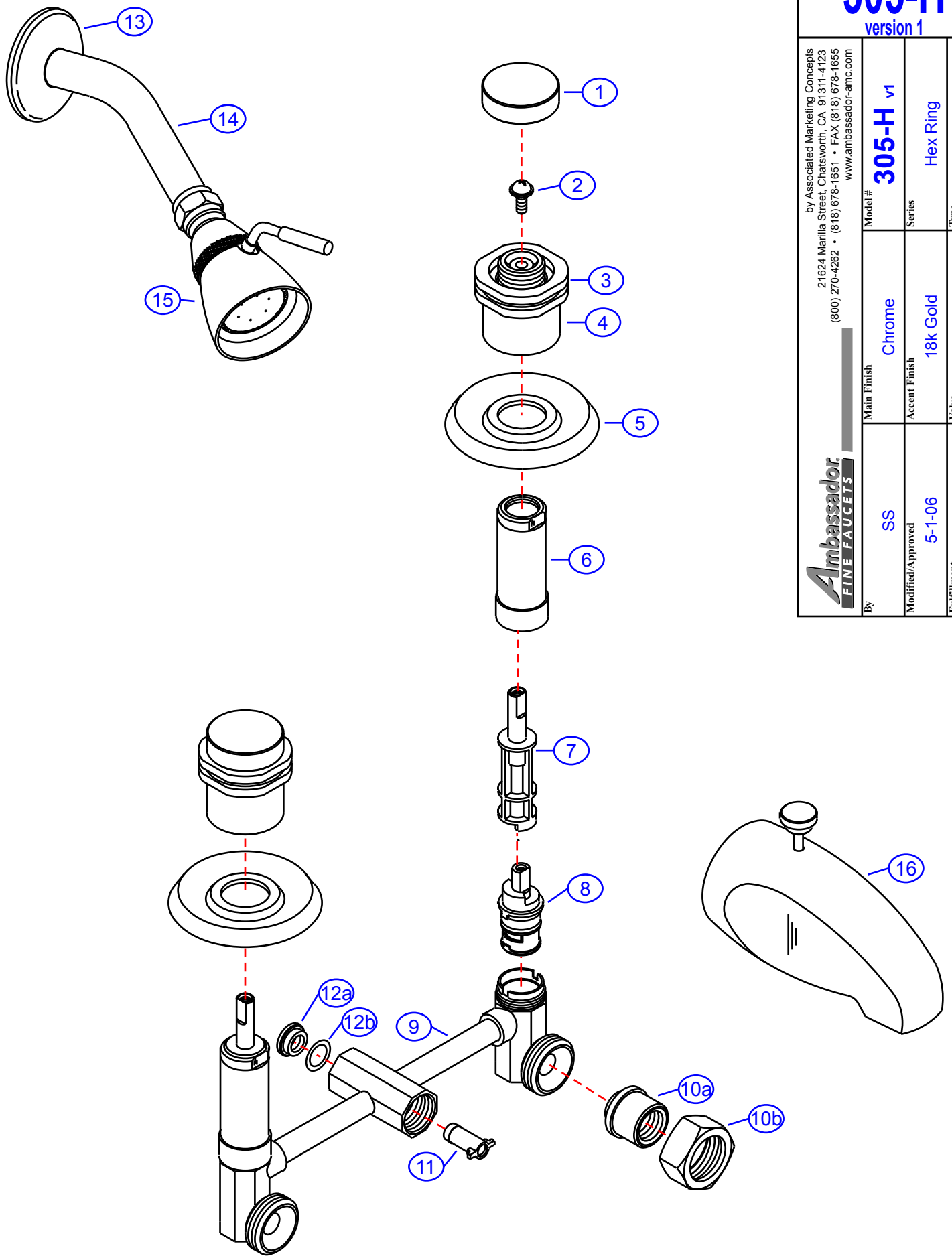
305-H

version 1

by Associated Marketing Concepts
 21624 Marilla Street, Chatsworth, CA 91311-4123
 (800) 270-4262 • (818) 678-1651 • FAX (818) 678-1655
 www.ambassador-amc.com



By	SS	Chrome	Model #	305-H v1
Modified/Approved	5-1-06	18k Gold	Series	Hex Ring
Fulfillment	xxxxCG	Ceramic Disk	Valve	2 Handle Shower/Tub



305-H v1



Hex Ring 2 Handle Shower/Tub- CD/CG

#	Description	Quantity	Part #	Finish
1	Cap	2	E-206002CP	Chrome
2	Handle Screw	2	E-008000	Metal
3	Trim Ring	2	E-218005GP	Gold
4	Handle Canopy	2	E-215003HCP	Chrome
5	Escutcheon	2	E-111001GP	Gold
6	Retainer Nut	2	E-216000CP	Chrome
7	Stem Extention (Hot)	2	G-10003H	Plastic/Brass
8	Cartridge (Hot)	2	E-507003H	Ceramic Disc
9	Valve	1	E-002070	Brass
10	Union Nut (Assembled)	2	EA-504100	Brass
10a	Union Sleeve	2	E-009028*	Brass
10b	Union Nut	2	E-009001*	Brass
11	Diverter Spindle	1	E-208022	Plastic
12	Diverter Cap (Assembled)	1	G-A55400	Plastic/Rubber
12a	Diverter Cap	1	E-209000*	Plastic
12b	O-Ring	1	E-004070*	Rubber
13	Shower Arm Escutcheon	1	E-019001GP	Gold
14	Shower Arm	1	E-020002GP	Gold
15	Shower Head	1	E-S11B0200CP	Chrome
16	Tub Spout	1	E-100032GP	Gold

* Grayed parts are not available individually. "Assembled" item required.