

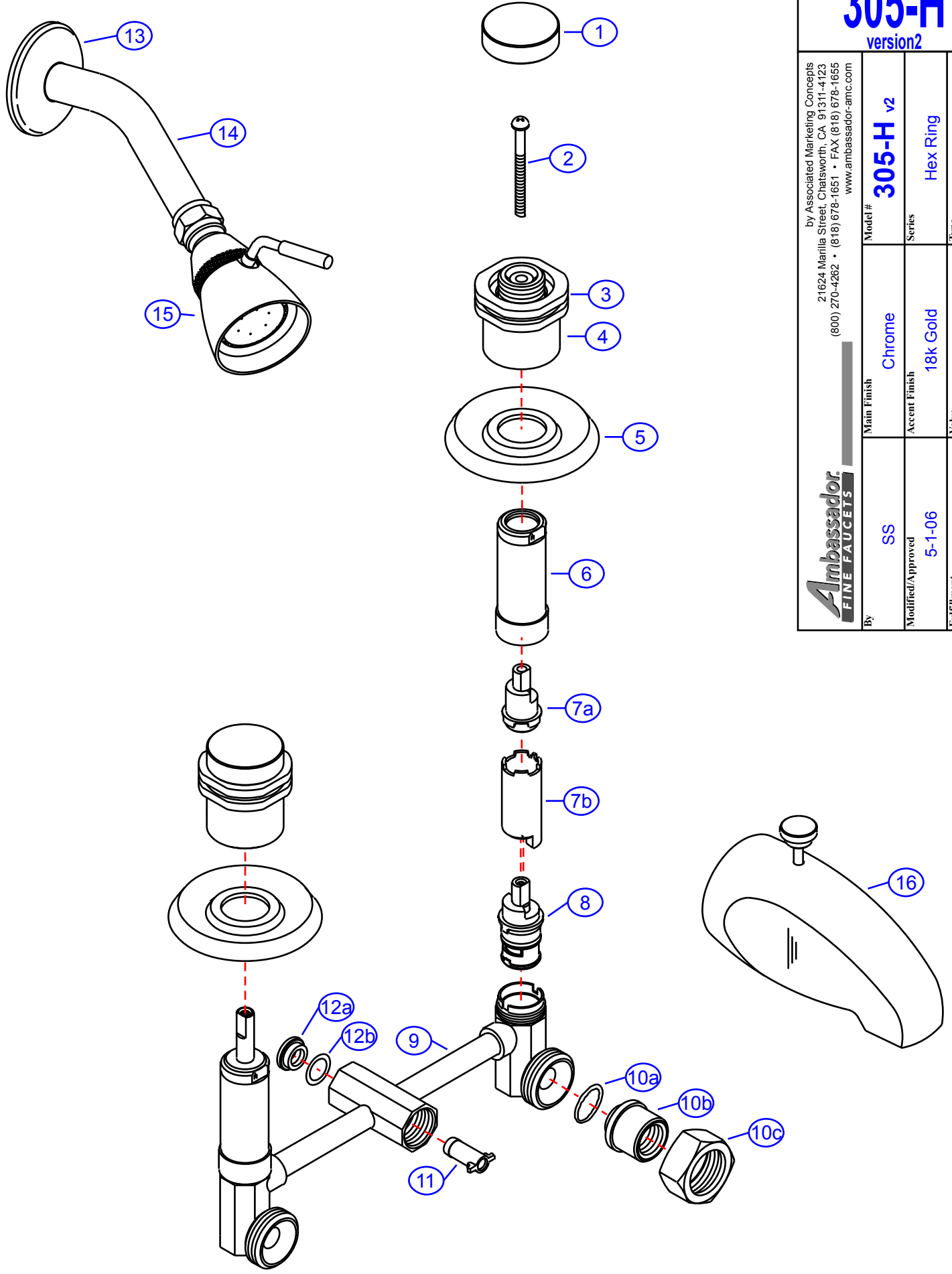
305-H

version2

by Associated Marketing Concepts
 21624 Marilla Street, Chatsworth, CA 91311-4123
 (800) 270-4262 • (818) 678-1651 • FAX (818) 678-1655
 www.ambassador-amc.com



| | | | |
|-------------------|---------------------|---------------|----------|
| Model # | 305-H v2 | | |
| Series | Hex Ring | | |
| Type | 2 Handle Shower/Tub | | |
| Main Finish | Chrome | Accent Finish | 18k Gold |
| Valve | Ceramic Disk | By | SS |
| Modified/Approved | 5-1-06 | Fulfillment | xxxxCG |



305-H v2



Hex Ring 2 Handle Shower/Tub- CD/CG

| # | Description | Quantity | Part # | Finish |
|-----|--------------------------|----------|--------------|----------------|
| 1 | Cap | 2 | E-206002CP | Chrome |
| 2 | Handle Screw | 2 | E-008019 | Metal |
| 3 | Trim Ring | 2 | E-218005GP | Gold |
| 4 | Handle Canopy | 2 | E-215003HCP | Chrome |
| 5 | Escutcheon | 2 | E-111001GP | Gold |
| 6 | Retainer Nut | 2 | E-216000CP | Chrome |
| 7 | Stem Extention (Hot) | 2 | EA-517000H | Plastic |
| 7a | Stem Extention Fitting | 2 | E-110012H* | Plastic |
| 7b | Stem Extention Body | 2 | E-110007H* | Plastic |
| 8 | Cartridge (Hot) | 2 | E-507003NH | Ceramic Disc |
| 9 | Valve | 1 | E-002070 | Brass |
| 10 | Union Nut (Assembled) | 2 | EA-504100 | Brass |
| 10a | O-Ring | 2 | E-004064 | Rubber |
| 10b | Union Sleeve | 2 | E-009028* | Brass |
| 10c | Union Nut | 2 | E-009001* | Brass |
| 11 | Diverter Spindle | 1 | E-208022 | Plastic |
| 12 | Diverter Cap (Assembled) | 1 | G-A55400 | Plastic/Rubber |
| 12a | Diverter Cap | 1 | E-209000* | Plastic |
| 12b | O-Ring | 1 | E-004070* | Rubber |
| 13 | Shower Arm Escutcheon | 1 | E-019001GP | Gold |
| 14 | Shower Arm | 1 | E-020002GP | Gold |
| 15 | Shower Head | 1 | E-S11B0200CP | Chrome |
| 16 | Tub Spout | 1 | E-100032GP | Gold |

* Grayed parts are not available individually. "Assembled" item required.