

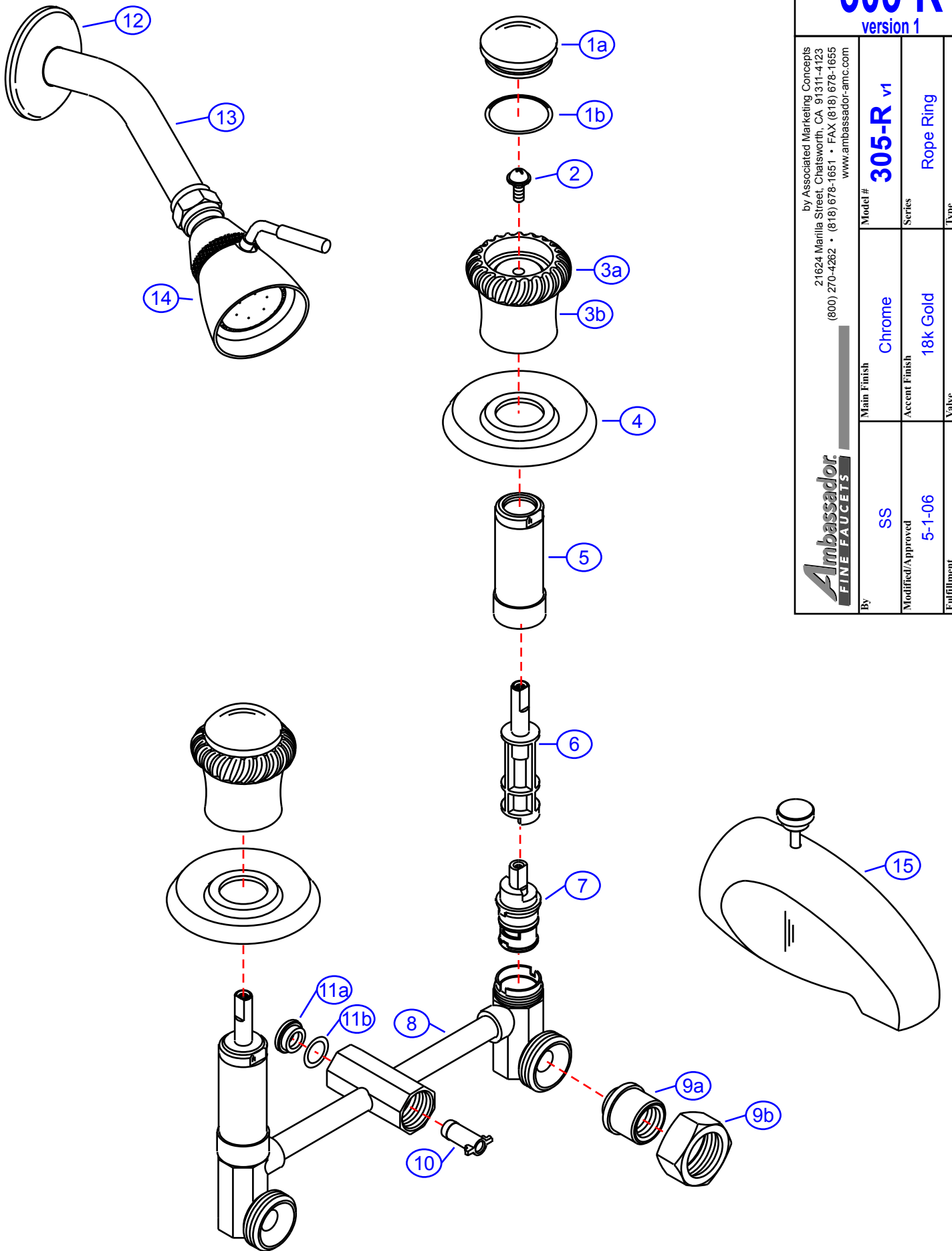
305-R

version 1

by Associated Marketing Concepts
 21624 Marilla Street, Chatsworth, CA 91311-4123
 (800) 270-4262 • (818) 678-1651 • FAX (818) 678-1655
 www.ambassador-amc.com



By	SS	Chrome	Model #	305-R v1
Modified/Approved	5-1-06	18k Gold	Series	Rope Ring
Fulfillment	xxxxCG	Ceramic Disk	Valve	2 Handle Shower/Tub



305-R v1



Rope Ring 2 Handle Shower/Tub- CD/CG

#	Description	Quantity	Part #	Finish
1	Cap w/O-Ring	2	EA-663194CP	Chrome
1a	Cap	2	E-206049CP*	Chrome
1b	O-Ring	2	E-004053	Rubber
2	Handle Screw	2	E-008000	Metal
3	Rope Ring Widespread Handle	2	EA-667337CG	Chrome/Gold
3a	Trim Ring	2	E-218010GP*	Gold
3b	Handle Canopy	2	E-215006HCP*	Chrome
4	Escutcheon	2	E-111001GP	Gold
5	Retainer Nut	2	E-216000CP	Chrome
6	Stem Extention (Hot)	2	G-10003H	Plastic/Brass
7	Cartridge (Hot)	2	E-507003NH	Ceramic Disc
8	Valve	1	E-002070	Brass
9	Union Nut (Assembled)	2	EA-504100	Brass
9a	Union Sleeve	2	E-009028*	Brass
9b	Union Nut	2	E-009001*	Brass
10	Diverter Spindle	1	E-208022	Plastic
11	Diverter Cap (Assembled)	1	G-A55400	Plastic/Rubber
11a	Diverter Cap	1	E-209000*	Plastic
11b	O-Ring	1	E-004070*	Rubber
12	Shower Arm Escutcheon	1	E-019001GP	Gold
13	Shower Arm	1	E-020002GP	Gold
14	Shower Head	1	E-S11B0200CP	Chrome
15	Tub Spout	1	E-100032GP	Gold

* Grayed parts are not available individually. "Assembled" item required.

by Associated Marketing Concepts
 21624 Marilla Street, Chatsworth, CA 91311-4123
 (800) 270-4262 * (818) 678-1651 * FAX (818) 678-1655
www.ambassador-amc.com