

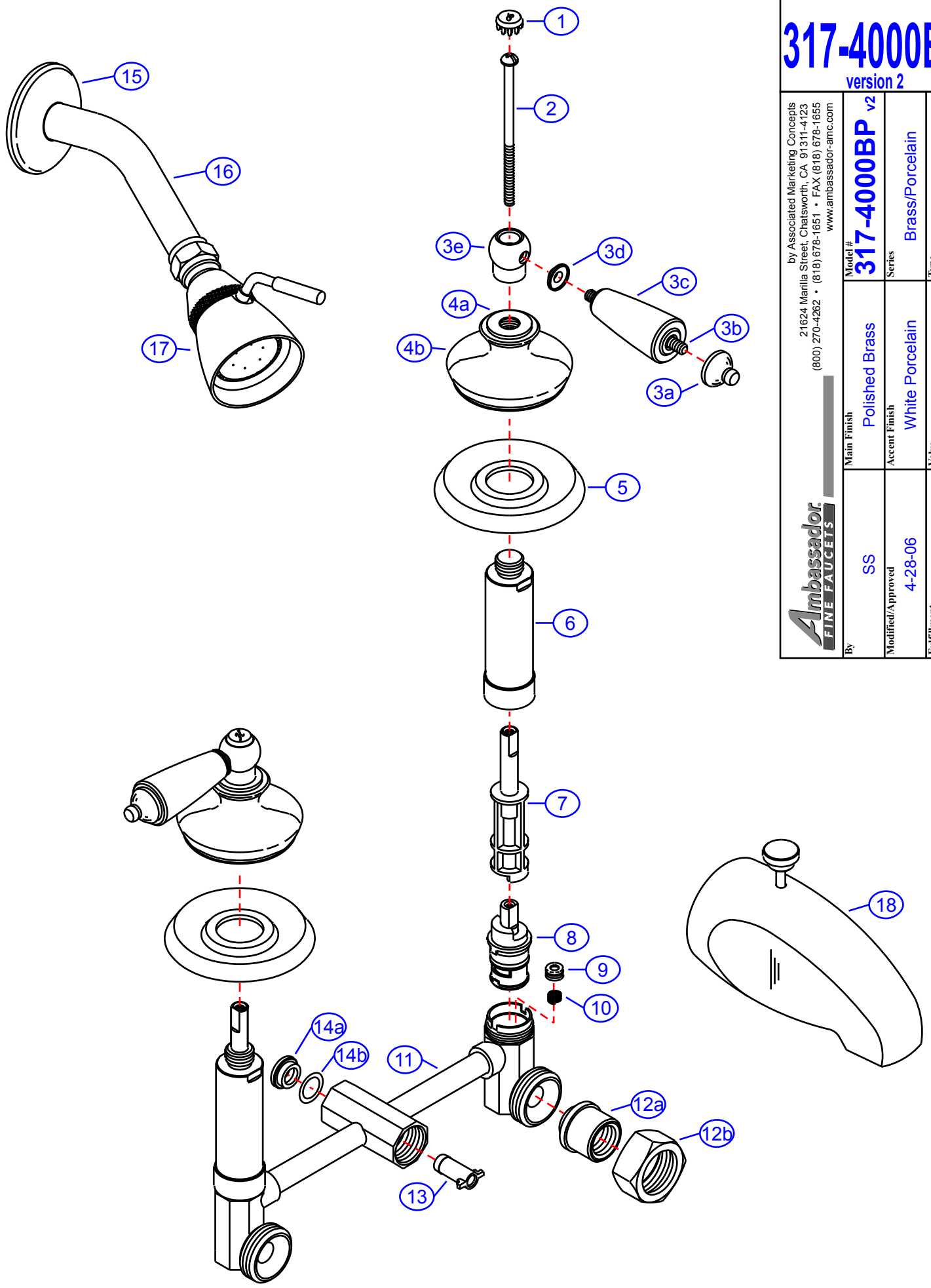
317-4000BP

version 2

by Associated Marketing Concepts
 21624 Marilla Street, Chatsworth, CA 91311-4123
 (800) 270-4262 • (818) 678-1651 • FAX (818) 678-1655
 www.ambassador-amc.com



By	SS	Main Finish Polished Brass	Model # 317-4000BP v2
Modified/Approved	4-28-06	Accent Finish White Porcelain	Series Brass/Porcelain
Fulfillment	xxxxXX	Valve Standard (Washerless)	Type 2 Handle Shower/Tub



317-4000BP v2



Brass/Porcelain 2 Handle Shower/Tub- Std/PW

#	Description	Quantity	Part #	Finish
1	Cap "H"	1	E-206041HPB	Polished Brass
	Cap "C"	1	E-206041CPB	Polished Brass
2	Handle Screw	2	E-008019	Metal
3	Brass/Porc. Widespread Handle	2	G-XXXX	Brass/Porcelain
3a	Handle Tip	2	E-109003PB	Polished Brass
3b	Handle Rod	2	E-017045	Metal
3c	Handle (Brass/Porcelain)	2	G-XXXX	Porcelain
3d	Handle Spacer	2	G-XXXXPB	Polished Brass
3e	Handle Head	2	E-226002PB	Polished Brass
4	Canopy (Assembled)	2	G-XXXX	Brass/Porcelain
4a	Canopy Threads	2	E-205007PB*	Polished Brass
4b	Canopy	2	G-XXXX	Porcelain
5	Escutcheon	2	E-111001PB	Polished Brass
6	Retainer Nut	2	E-216002PB	Polished Brass
7	Stem Extension (Hot)	1	E-110009H	Plastic/Brass
	Stem Extension (Cold)	1	E-110009C	Plastic/Brass
8	Cartridge	2	E-507006N	Plastic/Brass
9	Seat	2	E-101000N	Rubber
10	Spring	2	E-005000	Metal
11	Valve Body	1	G-00211-2	Brass
12	Union Nut (Assembled)	2	EA-504100	Brass
12a	Union Sleeve	2	E-009028*	Brass
12b	Union Nut	2	E-009001*	Brass
13	Diverter Spindle	1	E-208022	Plastic
14	Diverter Cap (Assembled)	1	G-A55400	Plastic/Rubber
14a	Diverter Cap	1	E-209000*	Plastic
124	O-Ring	1	E-004070*	Rubber
15	Shower Arm Escutcheon	1	E-019001PB	Polished Brass
16	Shower Arm	1	E-020002PB	Polished Brass
17	Shower Head	1	E-S11B0200PB	Polished Brass
18	Tub Spout	1	E-100032PB	Polished Brass

* Grayed parts are not available individually. "Assembled" item required.

by Associated Marketing Concepts
 21624 Marilla Street, Chatsworth, CA 91311-4123
 (800) 270-4262 * (818) 678-1651 * FAX (818) 678-1655
 www.ambassador-amc.com