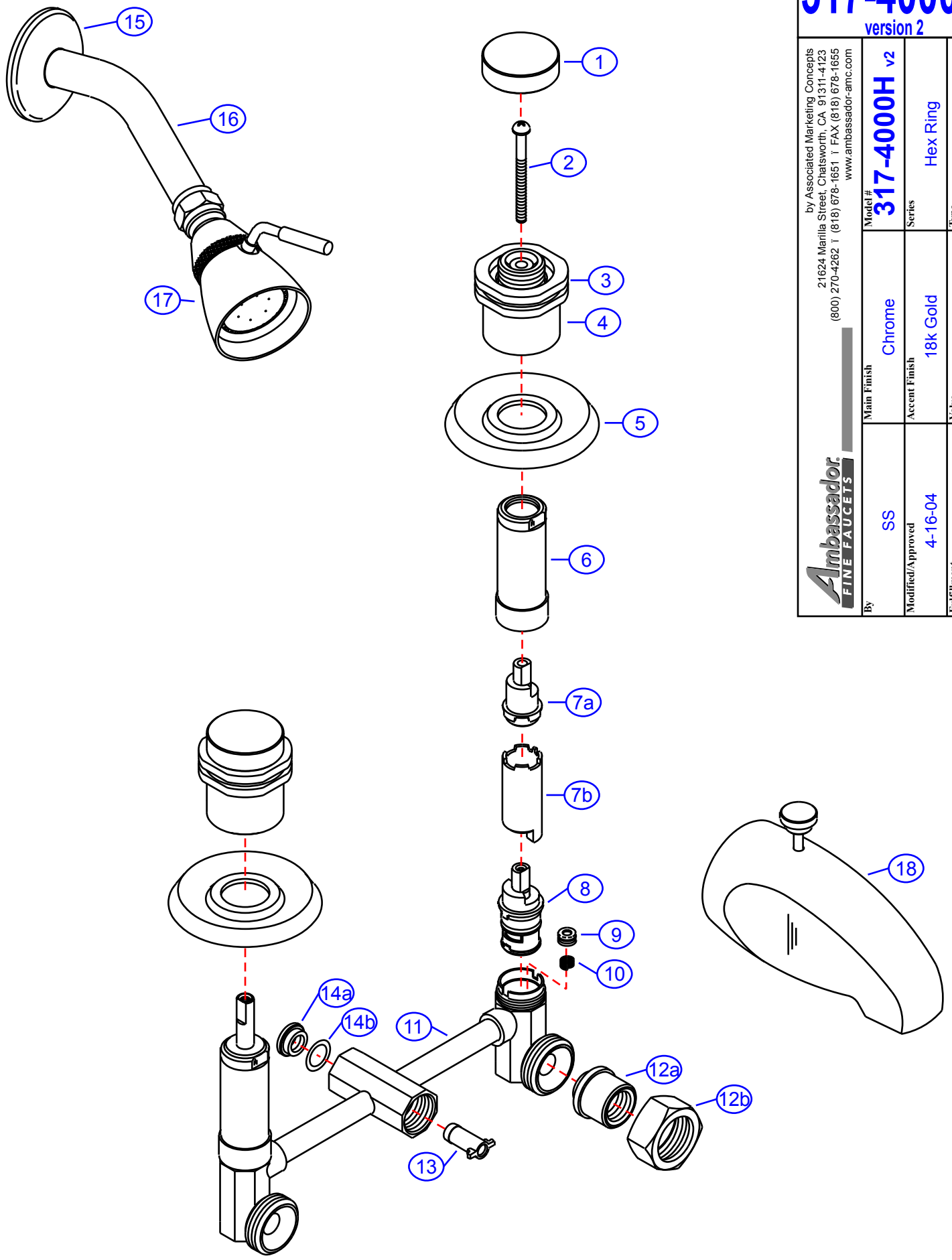


317-4000H

version 2

by Associated Marketing Concepts
 21624 Marilla Street, Chatsworth, CA 91311-4123
 (800) 270-4262 | (818) 678-1651 | FAX (818) 678-1655
 www.ambassador-amc.com

Model #	317-4000H v2		
Series	Hex Ring		
Main Finish	Chrome	Accent Finish	18k Gold
Valve	Standard (Washerless)		
Type	2 Handle Shower/Tub		
By	SS	Modified/Approved	4-16-04
Fulfillment	xxxxCG		



317-4000H v2



Hex Ring 2 Handle Shower/Tub- Std/CG

#	Description	Quantity	Part #	Finish
1	Cap	2	E-206002CP	Chrome
2	Handle Screw	2	E-008019	Metal
3	Trim Ring	2	E-218005GP	Gold
4	Handle Canopy	2	E-215003HCP	Chrome
5	Escutcheon	2	E-111001GP	Gold
6	Retainer Nut	2	E-216000CP	Chrome
7	Stem Extention (Hot)	2	EA-517000H	Plastic
7a	Stem Extention Fitting	2	E-110012H*	Plastic
7b	Stem Extention Body	2	E-110007H*	Plastic
8	Cartridge	2	E-507006N	Plastic/Brass
9	Seat	2	E-101000N	Rubber
10	Spring	2	E-005000	Metal
11	Valve	1	G-00211-2	Brass
12	Union Nut (Assembled)	2	EA-504100	Brass
12a	Union Sleeve	2	E-009028*	Brass
12b	Union Nut	2	E-009001*	Brass
13	Diverter Spindle	1	E-208022	Plastic
14	Diverter Cap (Assembled)	1	G-A55400	Plastic/Rubber
14a	Diverter Cap	1	E-209000*	Plastic
14b	O-Ring	1	E-004070*	Rubber
15	Shower Arm Escutcheon	1	E-019001GP	Gold
16	Shower Arm	1	E-020002GP	Gold
17	Shower Head	1	E-S11B0200CP	Chrome
18	Tub Spout	1	E-100032GP	Gold

* Grayed parts are not available individually. "Assembled" item required.

by Associated Marketing Concepts
 21624 Marilla Street, Chatsworth, CA 91311-4123
 (800) 270-4262 * (818) 678-1651 * FAX (818) 678-1655
www.ambassador-amc.com