

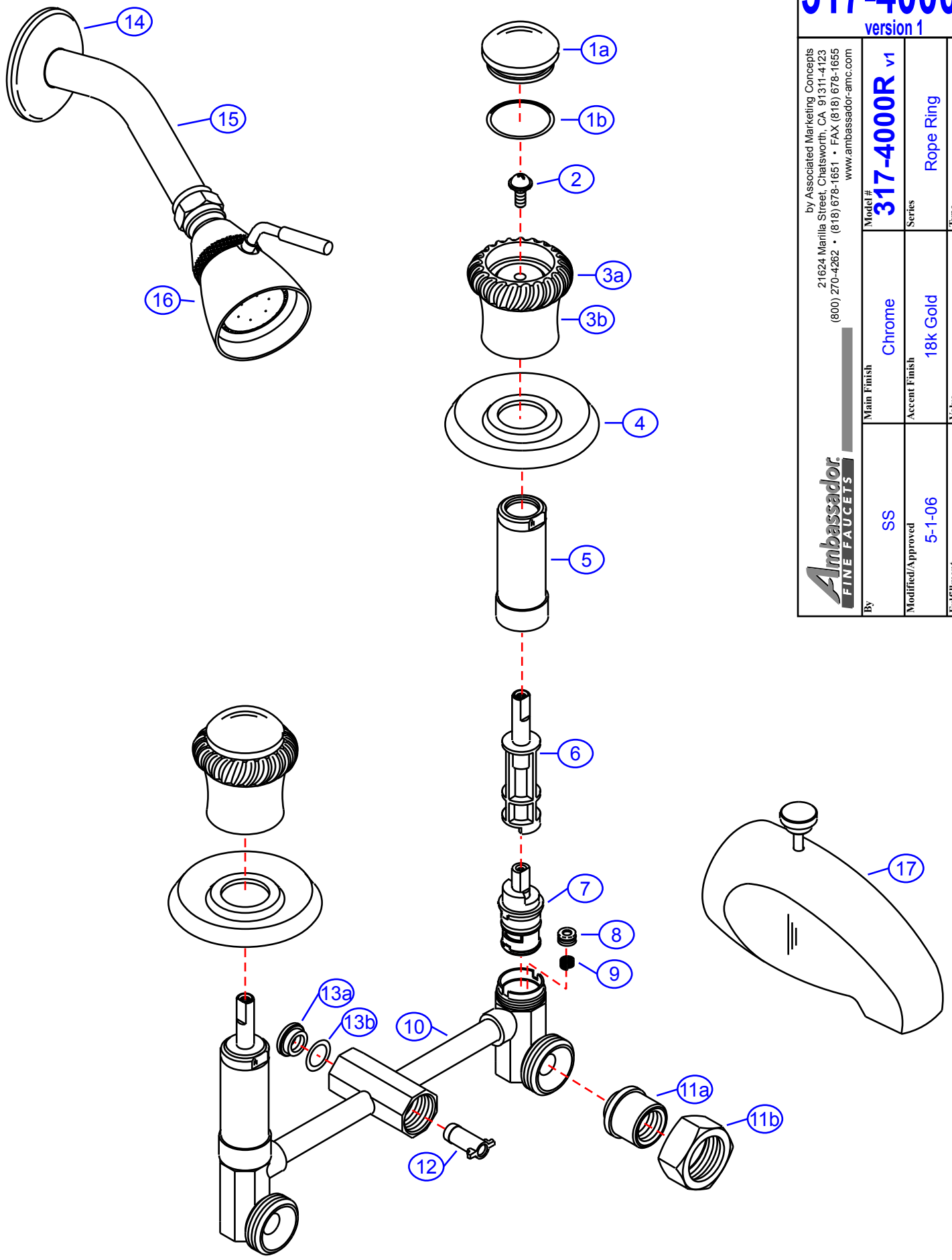
# 317-4000R

version 1

by Associated Marketing Concepts  
 21624 Marilla Street, Chatsworth, CA 91311-4123  
 (800) 270-4262 • (818) 678-1651 • FAX (818) 678-1655  
 www.ambassador-amc.com



By	SS	Chrome	Model #	<b>317-4000R</b>	v1
Modified/Approved	5-1-06	18k Gold	Series	Rope Ring	
Fulfillment	xxxxCG	Standard (Washerless)	Valve	2 Handle Shower/Tub	



# 317-4000R v1



## Rope Ring 2 Handle Shower/Tub- Std/CG

#	Description	Quantity	Part #	Finish
1	Cap w/O-Ring	2	EA-663194CP	Chrome
1a	Cap	2	E-206049CP*	Chrome
1b	O-Ring	2	E-004053	Rubber
2	Handle Screw	2	E-008000	Metal
3	Rope Ring Widespread Handle	2	EA-667337CG	Chrome/Gold
3a	Trim Ring	2	E-218010GP*	Gold
3b	Handle Canopy	2	E-215006HCP*	Chrome
4	Escutcheon	2	E-111001GP	Gold
5	Retainer Nut	2	E-216000CP	Chrome
6	Stem Extention (Hot)	2	G-10003H	Plastic/Brass
7	Cartridge	2	E-507006N	Plastic/Brass
8	Seat	2	E-101000N	Rubber
9	Spring	2	E-005000	Metal
10	Valve	1	G-00211-2	Brass
11	Union Nut (Assembled)	2	EA-504100	Brass
11a	Union Sleeve	2	E-009028*	Brass
11b	Union Nut	2	E-009001*	Brass
12	Diverter Spindle	1	E-208022	Plastic
13	Diverter Cap (Assembled)	1	G-A55400	Plastic/Rubber
13a	Diverter Cap	1	E-209000*	Plastic
13b	O-Ring	1	E-004070*	Rubber
14	Shower Arm Escutcheon	1	E-019001GP	Gold
15	Shower Arm	1	E-020002GP	Gold
16	Shower Head	1	E-S11B0200CP	Chrome
17	Tub Spout	1	E-100032GP	Gold

\* Grayed parts are not available individually. "Assembled" item required.

by Associated Marketing Concepts  
 21624 Marilla Street, Chatsworth, CA 91311-4123  
 (800) 270-4262 \* (818) 678-1651 \* FAX (818) 678-1655  
[www.ambassador-amc.com](http://www.ambassador-amc.com)