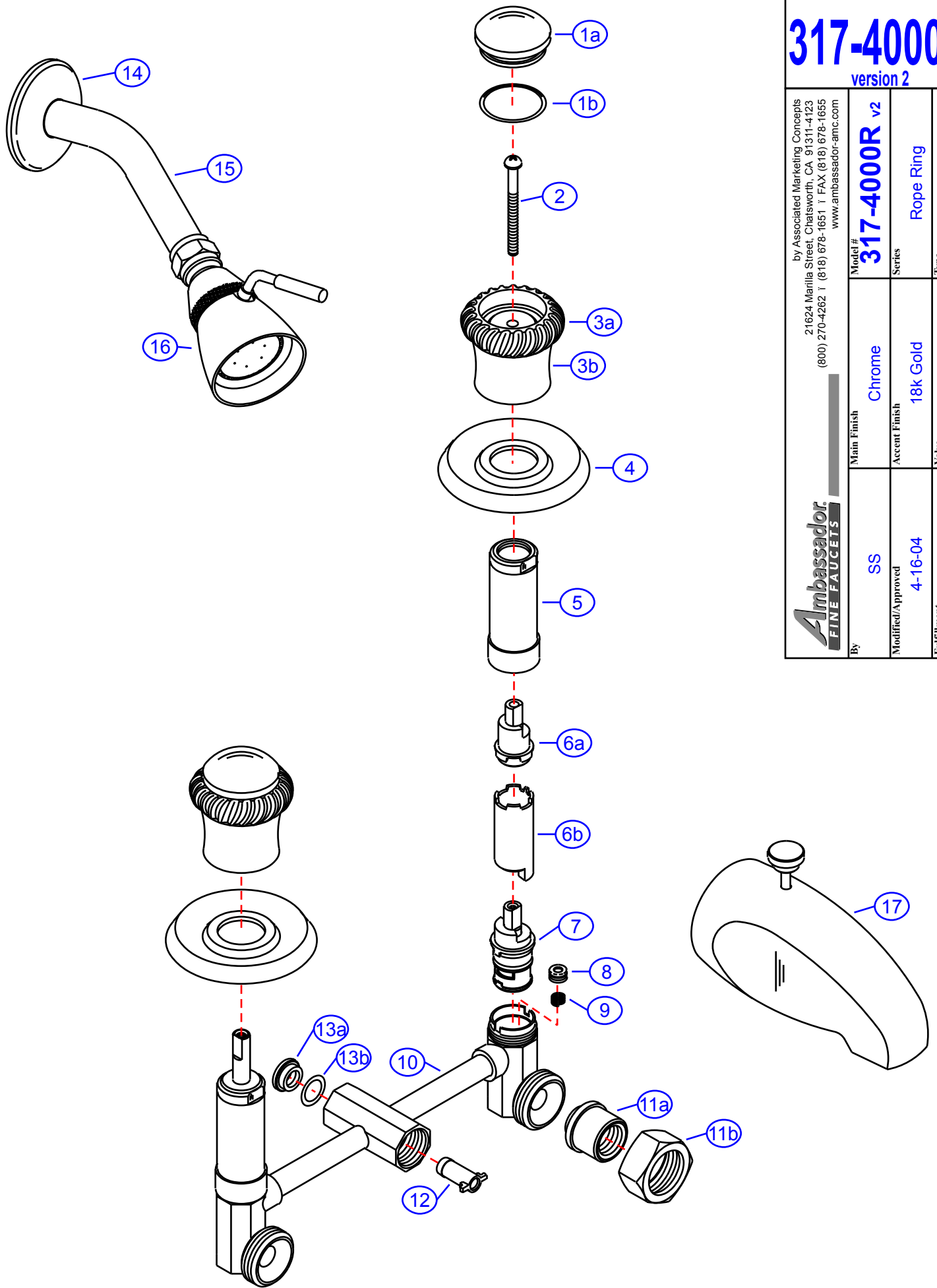


317-4000R

version 2

by Associated Marketing Concepts
21624 Marilla Street, Chatsworth, CA 91311-4123
(800) 270-4262 | (818) 678-1651 | FAX (818) 678-1655
www.ambassador-amc.com

By	SS	Main Finish	Chrome	Model #	317-4000R v2
Modified/Approved	4-16-04	Accent Finish	18k Gold	Series	Rope Ring
Fulfillment	xxxxCG	Valve	Standard (Washerless)	Type	2 Handle Shower/Tub



317-4000R v2



Rope Ring 2 Handle Shower/Tub- Std/CG

#	Description	Quantity	Part #	Finish
1	Cap w/O-Ring	2	EA-663194CP	Chrome
1a	Cap	2	E-206049CP*	Chrome
1b	O-Ring	2	E-004053	Rubber
2	Handle Screw	2	E-008019	Metal
3	Rope Ring Widespread Handle	2	EA-667337CG	Chrome/Gold
3a	Trim Ring	2	E-218010GP*	Gold
3b	Handle Canopy	2	E-215006HCP*	Chrome
4	Escutcheon	2	E-111001GP	Gold
5	Retainer Nut	2	E-216000CP	Chrome
6	Stem Extention (Hot)	2	EA-517000H	Plastic
6a	Stem Extention Fitting	2	E-110012H*	Plastic
6b	Stem Extention Body	2	E-110007H*	Plastic
7	Cartridge	2	E-507006N	Plastic/Brass
8	Seat	2	E-101000N	Rubber
9	Spring	2	E-005000	Metal
10	Valve	1	G-00211-2	Brass
11	Union Nut (Assembled)	2	EA-504100	Brass
11a	Union Sleeve	2	E-009028*	Brass
11b	Union Nut	2	E-009001*	Brass
12	Diverter Spindle	1	E-208022	Plastic
13	Diverter Cap (Assembled)	1	G-A55400	Plastic/Rubber
13a	Diverter Cap	1	E-209000*	Plastic
13b	O-Ring	1	E-004070*	Rubber
14	Shower Arm Escutcheon	1	E-019001GP	Gold
15	Shower Arm	1	E-020002GP	Gold
16	Shower Head	1	E-S11B0200CP	Chrome
17	Tub Spout	1	E-100032GP	Gold

* Grayed parts are not available individually. "Assembled" item required.

by Associated Marketing Concepts
 21624 Marilla Street, Chatsworth, CA 91311-4123
 (800) 270-4262 * (818) 678-1651 * FAX (818) 678-1655
www.ambassador-amc.com