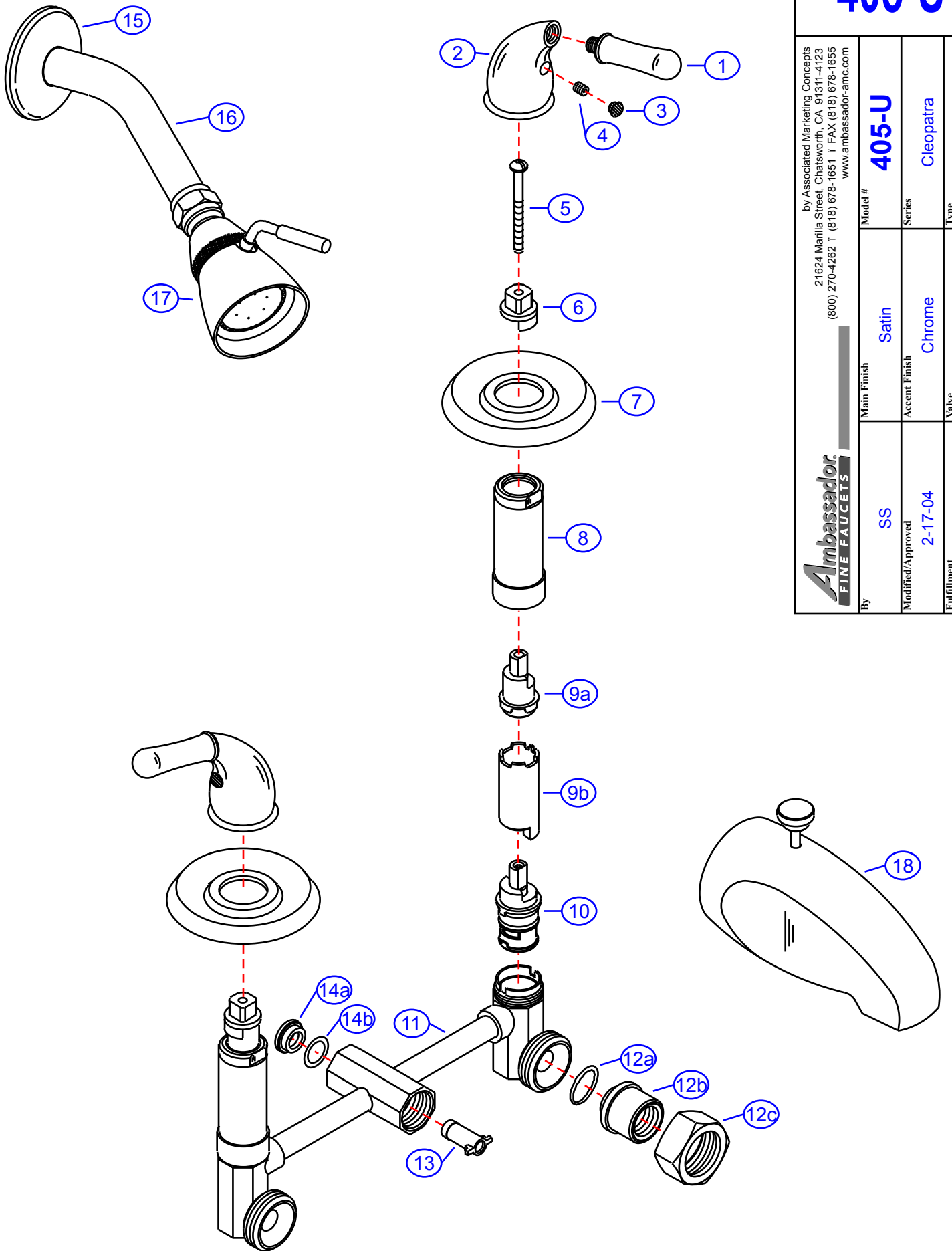


405-U

by Associated Marketing Concepts
 21624 Marilla Street, Chatsworth, CA 91311-4123
 (800) 270-4262 | (818) 678-1651 | FAX (818) 678-1655
 www.ambassador-amc.com

Ambassador
 FINE FAUCETS

By	SS	Main Finish	Satin	Model #	405-U
Modified/Approved	2-17-04	Accent Finish	Chrome	Series	Cleopatra
Fulfillment	F20A5701SC	Valve	Ceramic Disk	Type	2 Handle Shower/Tub



405-U



Cleopatra 2 Handle Shower/Tub- CD/SC

#	Description	Quantity	Part #	Finish
1	Handle Tip	2	E-108041CP	Chrome
2	Handle Canopy	2	E-018052ST	Satin
3	Red Plug	1	E-028046H	Rubber
	Blue Plug	1	E-028046C	Rubber
4	Set Screw	2	E-008003	Metal
5	Handle Screw	2	E-008085	Metal
6	Adapter (Hot)	1	E-110114H	Plastic
	Adapter (Cold)	1	E-110114C	Plastic
7	Escutcheon	2	E-111001CP	Chrome
8	Retainer Nut	2	E-216000ST	Satin
9	Stem Extention (Hot)	1	EA-517000H	Plastic
	Stem Extention (Cold)	1	EA-517000C	Plastic
9a	Stem Extention Fitting (Hot)	1	E-110012H*	Plastic
	Stem Extention Fitting (Cold)	1	E-110012C*	Plastic
9b	Stem Extention Body (Hot)	1	E-110007H*	Plastic
	Stem Extention Body (Cold)	1	E-110007C*	Plastic
10	Cartridge (Hot)	1	E-507003NH	Ceramic Disc
	Cartridge (Cold)	1	E-507003NC	Ceramic Disc
11	Valve	1	E-002070	Brass
12	Union Nut (Assembled)	2	EA-504100	Brass
12a	O-Ring	2	E-004064	Brass
12b	Union Sleeve	2	E-009028*	Brass
12c	Union Nut	2	E-009001*	Brass
13	Diverter Spindle	1	E-208022	Plastic
14	Diverter Cap (Assembled)	1	G-A55400	Plastic/Rubber
14a	Diverter Cap	1	E-209000*	Plastic
14b	O-Ring	1	E-004070*	Rubber
15	Shower Arm Escutcheon	1	E-019001CP	Chrome
16	Shower Arm	1	E-020002CP	Chrome
17	Shower Head	1	E-S11B0200ST	Satin
18	Tub Spout	1	E-100032CP	Chrome

* Grayed parts are not available individually. "Assembled" item required.

by Associated Marketing Concepts
 21624 Marilla Street, Chatsworth, CA 91311-4123
 (800) 270-4262 * (818) 678-1651 * FAX (818) 678-1655
 www.ambassador-amc.com