

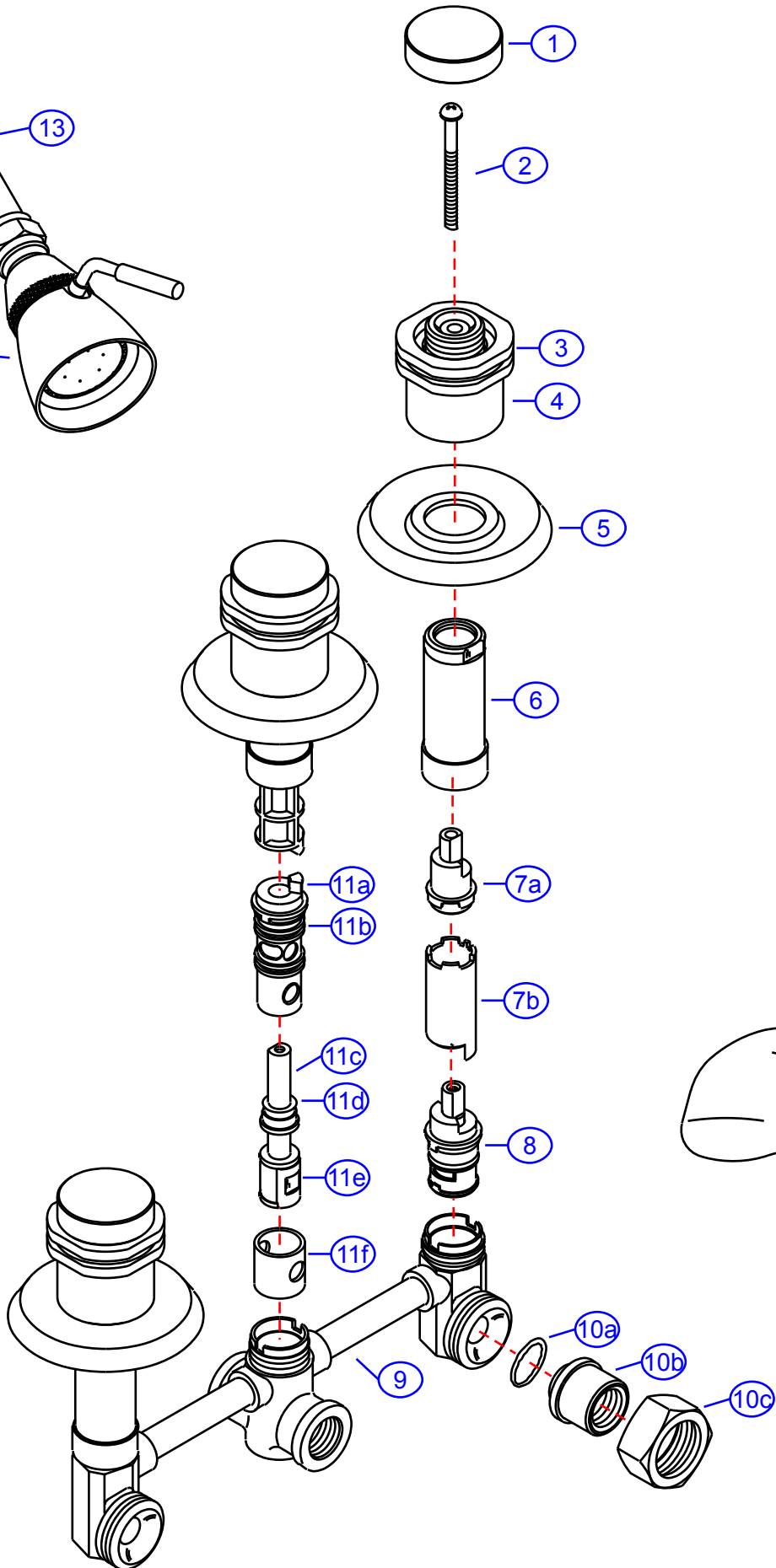
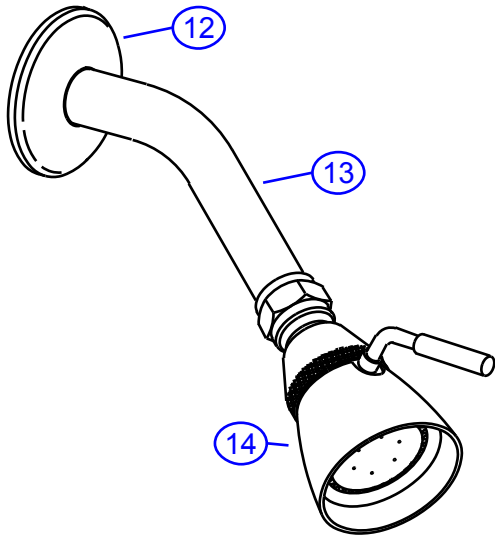
306-H

version 2

by Associated Marketing Concepts
 21624 Marilla Street, Chatsworth, CA 91311-4123
 (800) 270-4262 | (818) 678-1651 | FAX (818) 678-1655
 www.ambassador-amc.com

Ambassador
 FINE FAUCETS

By	SS	Chrome	Model #	306-H v2
Modified/Approved	9-22-04	18k Gold	Series	Hex Ring
Fulfillment	xxxCG	Ceramic Disk	Valve	Type
				3 Handle Shower/Tub



306-H v2



Hex Ring 3 Handle Shower/Tub- CD/CG

#	Description	Quantity	Part #	Finish
1	Cap	3	E-206002CP	Chrome
2	Handle Screw	3	E-008019	Metal
3	Trim Ring	3	E-218005GP	Gold
4	Handle Canopy	3	E-215003HCP	Chrome
5	Escutcheon	3	E-111001GP	Gold
6	Retainer Nut	3	E-216000CP	Chrome
7	Stem Extention (Hot)	3	EA-517000H	Plastic
7a	Stem Extention Fitting	3	E-110012H*	Plastic
7b	Stem Extention Body	3	E-110007H*	Plastic
8	Cartridge (Hot)	2	E-507003NH	Ceramic Disc
9	Valve	1	E-002067	Brass
10	Union Nut (Assembled)	2	EA-504100	Brass
10a	O-Ring	2	E-004064	Brass
10b	Union Sleeve	2	E-009028*	Brass
10c	Union Nut	2	E-009001*	Brass
11	Diverter Cartridge	1	EA-501016	Plastic
11a	Diverter Cartridge Housing	1	E-214008*	Plastic
11b	O-Ring	1	E-004037*	Rubber
11c	Diverter Cartridge Body	1	E-208023*	Plastic
11d	O-Ring	1	E-004011*	Rubber
11e	Diverter Cartridge Stopper	1	E-010047*	Plastic
11f	Diverter Cartridge Boot	1	E-010015*	Rubber
12	Shower Arm Escutcheon	1	E-019001GP	Gold
13	Shower Arm	1	E-020002GP	Gold
14	Shower Head	1	E-S11B0200CP	Chrome
15	Tub Spout	1	E-100015GP	Gold

* Grayed parts are not available individually. "Assembled" item required.