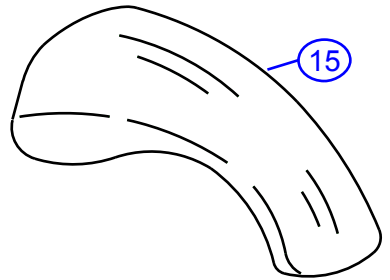
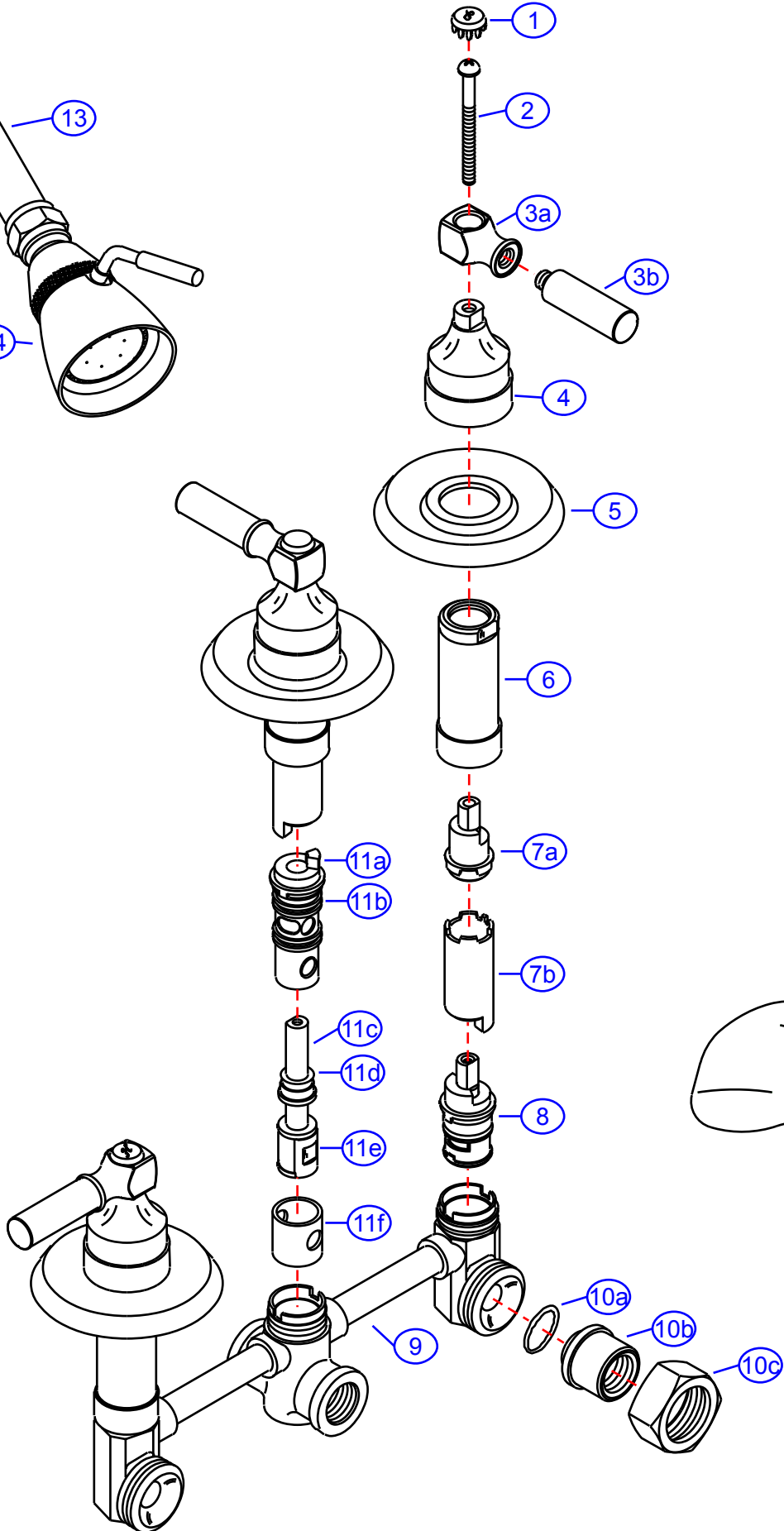
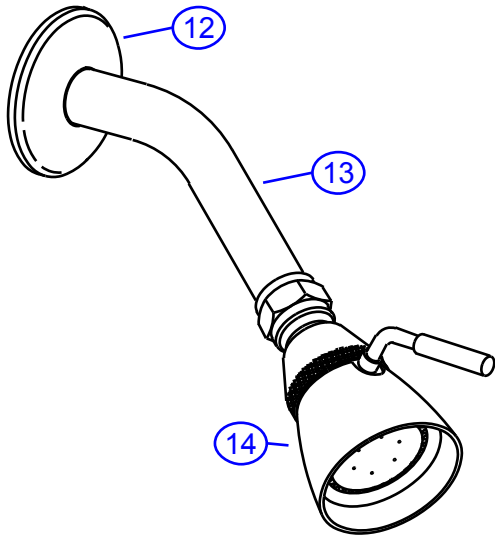


# 306-W

by Associated Marketing Concepts  
 21624 Marilla Street, Chatsworth, CA 91311-4123  
 (800) 270-4262 | (818) 678-1651 | FAX (818) 678-1655  
 www.ambassador-amc.com

**Ambassador**  
 FINE FAUCETS

By	SS	Main Finish	Satin	Model #	<b>306-W</b>
Modified/Approved	2-17-04	Accent Finish	None	Series	Bar-Lever
Fulfillment	F30A5702ST	Valve	Ceramic Disk	Type	3 Handle Shower/Tub



# 306-W



## Bar-Lever 3 Handle Shower/Tub- CD/ST

#	Description	Quantity	Part #	Finish
1	Cap "H"	1	E-206041HST	Satin
	Cap "C"	1	E-206041CST	Satin
	Cap "Blank"	1	E-206041ST	Satin
2	Handle Screw	3	E-008019	Metal
3	Handle	3	EA-662048ST	Satin
3a	Handle Head	3	E-107047ST*	Satin
3b	Handle Tip	3	E-552030ST*	Satin
4	Handle Canopy (Hot)	2	E-018027HST	Satin
	Handle Canopy (Cold)	1	E-018027CST	Satin
5	Escutcheon	3	E-111001ST	Satin
6	Retainer Nut	3	E-216000ST	Satin
7	Stem Extention (Hot)	2	EA-517000H	Plastic
	Stem Extention (Cold)	1	EA-517000C	Plastic
7a	Stem Extention Fitting (Hot)	2	E-110012H*	Plastic
	Stem Extention Fitting (Cold)	1	E-110012C*	Plastic
7b	Stem Extention Body (Hot)	2	E-110007H*	Plastic
	Stem Extention Body (Cold)	1	E-110007C*	Plastic
8	Cartridge (Hot)	2	E-507003NH	Ceramic Disc
	Cartridge (Cold)	1	E-507003NC	Ceramic Disc
9	Valve	1	E-002067	Brass
10	Union Nut (Assembled)	2	EA-504100	Brass
10a	O-Ring	2	E-004064	Brass
10b	Union Sleeve	2	E-009028*	Brass
10c	Union Nut	2	E-009001*	Brass
11	Diverter Cartridge	1	EA-501016	Plastic
11a	Diverter Cartridge Housing	1	E-214008*	Plastic
11b	O-Ring	1	E-004037*	Rubber
11c	Diverter Cartridge Body	1	E-208023*	Plastic
11d	O-Ring	1	E-004011*	Rubber
11e	Diverter Cartridge Stopper	1	E-010047*	Plastic
11f	Diverter Cartridge Boot	1	E-010015*	Rubber
12	Shower Arm Escutcheon	1	E-019001ST	Satin
13	Shower Arm	1	E-020002ST	Satin
14	Shower Head	1	E-S11B0200ST	Satin
15	Tub Spout	1	E-100015ST	Satin

\* Grayed parts are not available individually. "Assembled" item required.

by Associated Marketing Concepts  
 21624 Marilla Street, Chatsworth, CA 91311-4123  
 (800) 270-4262 \* (818) 678-1651 \* FAX (818) 678-1655  
[www.ambassador-amc.com](http://www.ambassador-amc.com)