

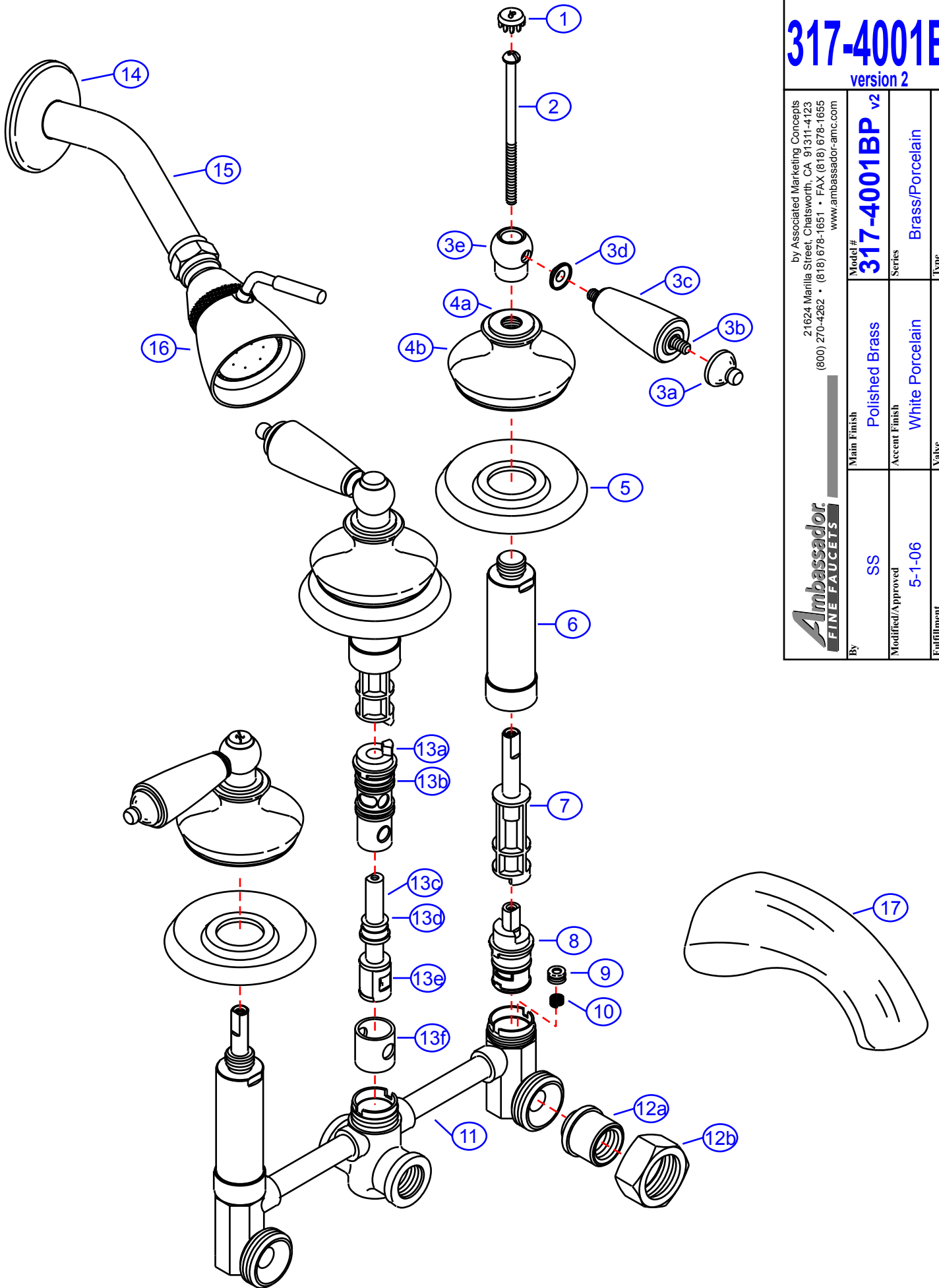
317-4001BP

version 2

by Associated Marketing Concepts
21624 Manilla Street, Chatsworth, CA 91311-4123
(800) 270-4262 • (818) 678-1651 • FAX (818) 678-1655
www.ambassador-amc.com

Ambassador
FINE FAUCETS

By	SS	Main Finish Polished Brass	Model # 317-4001BP v2
Modified/Approved	5-1-06	Accent Finish White Porcelain	Series Brass/Porcelain
Fulfillment	xxxxXX	Valve Standard (Washerless)	Type 3 Handle Shower/Tub



317-4001BP v2



Brass/Porcelain 3 Handle Shower/Tub- Std/PW

#	Description	Quantity	Part #	Finish
1	Cap "H"	1	E-206041HPB	Polished Brass
	Cap "C"	1	E-206041CPB	Polished Brass
	Cap "Blank"	1	E-206041PB	Polished Brass
2	Handle Screw	3	E-008019	Metal
3	Brass/Porc. Widespread Handle	3	G-XXXX	Brass/Porcelain
3a	Handle Tip	3	E-109003PB	Polished Brass
3b	Handle Rod	3	E-017045	Metal
3c	Handle (Brass/Porcelain)	3	G-XXXX	Porcelain
3d	Handle Spacer	3	G-XXXXPB	Polished Brass
3e	Handle Head	3	E-226002PB	Polished Brass
4	Canopy (Assembled)	3	G-XXXX	Brass/Porcelain
4a	Canopy Threads	3	E-205007PB*	Polished Brass
4b	Canopy	3	G-XXXX	Porcelain
5	Escutcheon	3	E-111001PB	Polished Brass
6	Retainer Nut	3	E-216002PB	Polished Brass
7	Stem Extension (Hot)	2	E-110009H	Plastic/Brass
	Stem Extension (Cold)	1	E-110009C	Plastic/Brass
8	Cartridge	2	E-507006N	Plastic/Brass
9	Seat	2	E-101000N	Rubber
10	Spring	2	E-005000	Metal
11	Valve Body	1	E-002015	Brass
12	Union Nut (Assembled)	2	EA-504100	Brass
12a	Union Sleeve	2	E-009028*	Brass
12b	Union Nut	2	E-009001*	Brass
13	Diverter Cartridge	1	EA-501016	Plastic
13a	Diverter Cartridge Housing	1	E-214008*	Plastic
13b	O-Ring	1	E-004037*	Rubber
13c	Diverter Cartridge Body	1	E-208023*	Plastic
13d	O-Ring	1	E-004011*	Rubber
13e	Diverter Cartridge Stopper	1	E-010047*	Plastic
13f	Diverter Cartridge Boot	1	E-010015*	Rubber
14	Shower Arm Escutcheon	1	E-019001PB	Polished Brass
15	Shower Arm	1	E-020002PB	Polished Brass
16	Shower Head	1	E-S11B0200PB	Polished Brass
17	Tub Spout	1	E-100015PB	Polished Brass

* Grayed parts are not available individually. "Assembled" item required.