

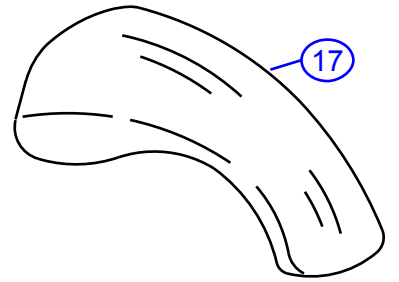
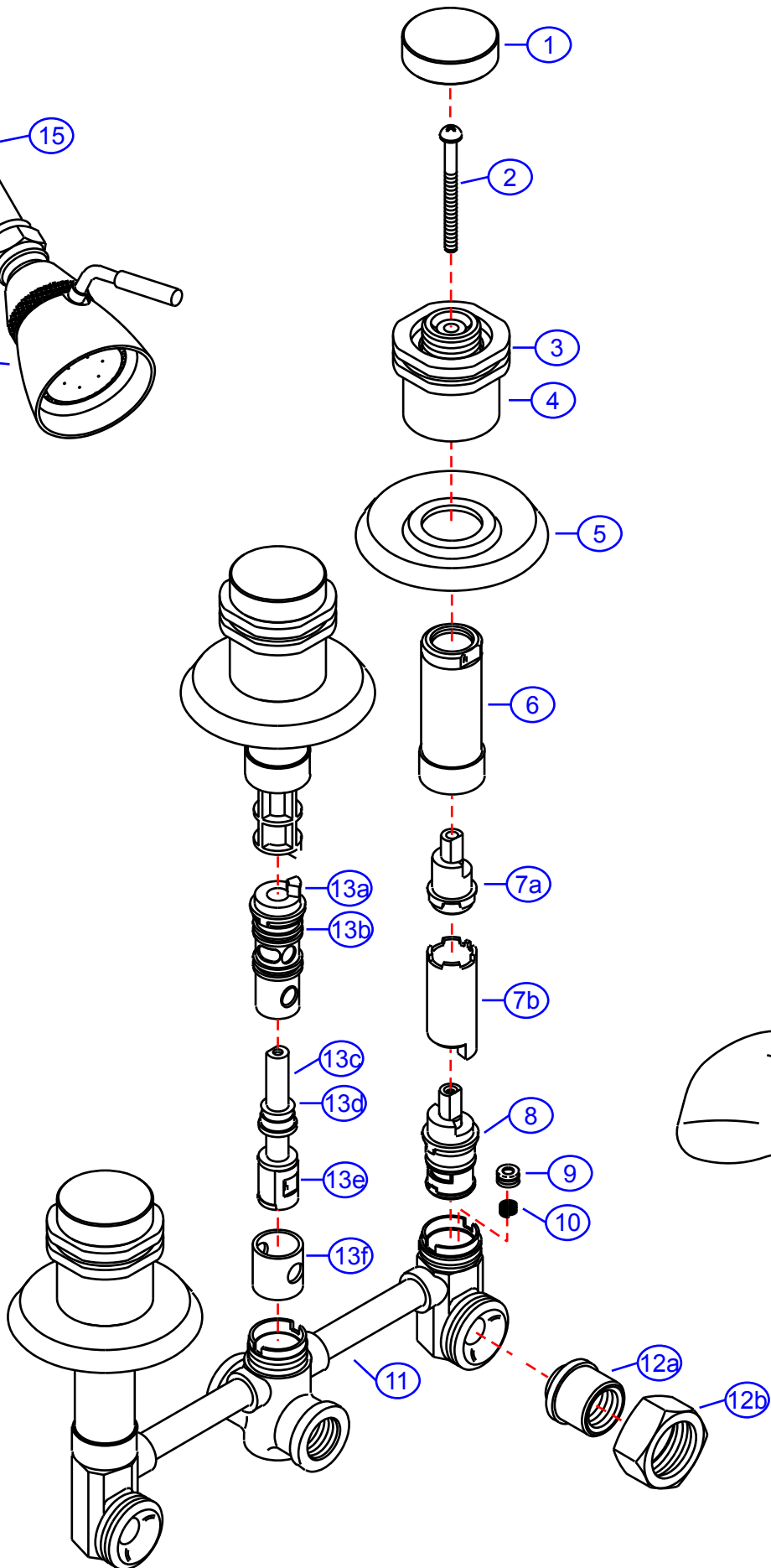
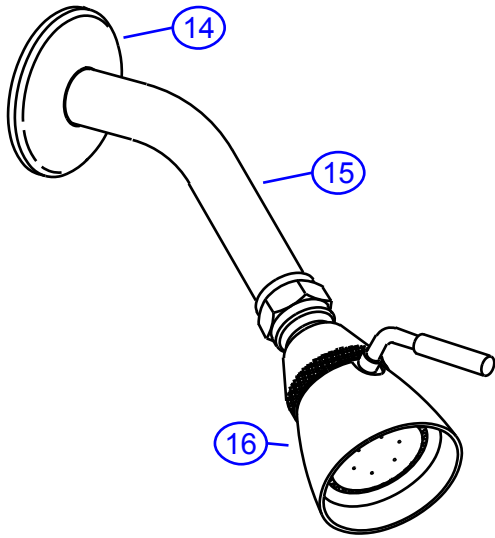
# 317-4001H

version 2

by Associated Marketing Concepts  
 21624 Marilla Street, Chatsworth, CA 91311-4123  
 (800) 270-4262 • (818) 678-1651 • FAX (818) 678-1655  
 www.ambassador-amc.com



By	SS	Main Finish	Chrome
Modified/Approved	8-11-06	Accent Finish	18k Gold
Fulfillment	F3012701CG	Valve	Standard (Washerless)
Model #	317-4001H v2		
Series	Hex Ring		
Type	3 Handle Shower/Tub		



# 317-4001H v2



## Hex Ring 3 Handle Shower/Tub- Std/CG

#	Description	Quantity	Part #	Finish
1	Cap	3	E-206002CP	Chrome
2	Handle Screw	3	E-008019	Metal
3	Trim Ring	3	E-218005GP	Gold
4	Handle Canopy	3	E-215003HCP	Chrome
5	Escutcheon	3	E-111001GP	Gold
6	Retainer Nut	3	E-216000CP	Chrome
7	Stem Extention (Hot)	3	EA-517000H	Plastic
7a	Stem Extention Fitting	3	E-110012H*	Plastic
7b	Stem Extention Body	3	E-110007H*	Plastic
8	Cartridge	2	E-507006N	Plastic/Brass
9	Seat	2	E-101000N	Rubber
10	Spring	2	E-005000	Metal
11	Valve	1	E-002015	Brass
12	Union Nut (Assembled)	2	EA-504100	Brass
12a	Union Sleeve	2	E-009028*	Brass
12b	Union Nut	2	E-009001*	Brass
13	Diverter Cartridge	1	EA-501016	Plastic
13a	Diverter Cartridge Housing	1	E-214008*	Plastic
13b	O-Ring	1	E-004037*	Rubber
13c	Diverter Cartridge Body	1	E-208023*	Plastic
13d	O-Ring	1	E-004011*	Rubber
13e	Diverter Cartridge Stopper	1	E-010047*	Plastic
13f	Diverter Cartridge Boot	1	E-010015*	Rubber
14	Shower Arm Escutcheon	1	E-019001GP	Gold
15	Shower Arm	1	E-020002GP	Gold
16	Shower Head	1	E-S11B0200CP	Chrome
17	Tub Spout	1	E-100015GP	Gold

\* Grayed parts are not available individually. "Assembled" item required.

by Associated Marketing Concepts  
 21624 Marilla Street, Chatsworth, CA 91311-4123  
 (800) 270-4262 \* (818) 678-1651 \* FAX (818) 678-1655  
[www.ambassador-amc.com](http://www.ambassador-amc.com)