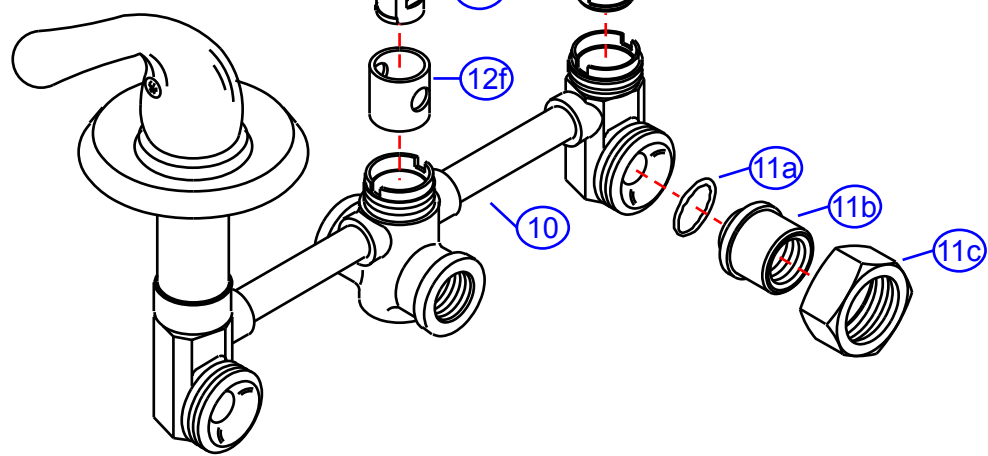
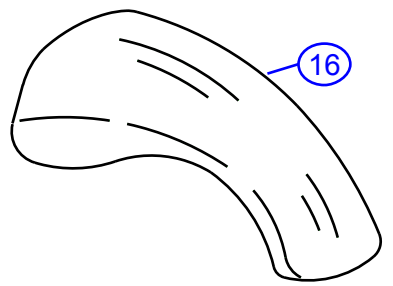
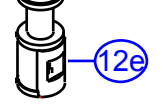
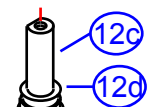
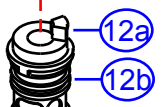
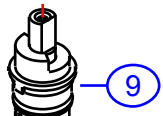
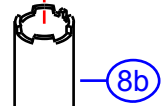
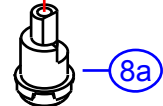
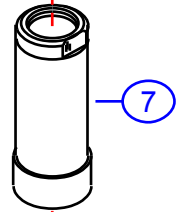
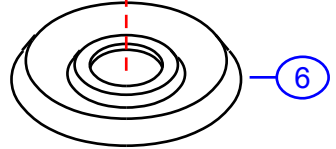
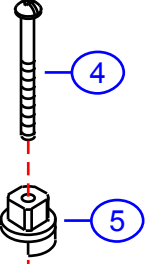
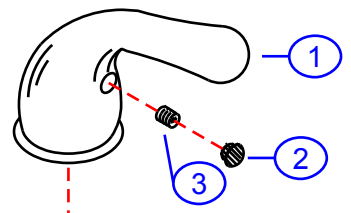
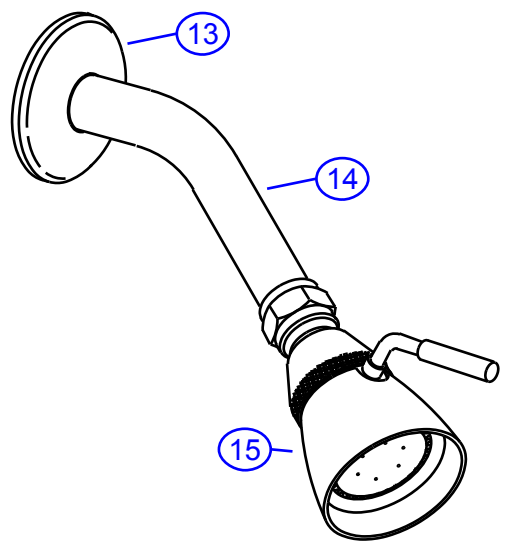


406-Q

(1-part)

by Associated Marketing Concepts
 21624 Marilla Street, Chatsworth, CA 91311-4123
 (800) 270-4262 | (818) 678-1651 | FAX (818) 678-1655
 www.ambassador-amc.com

Model #	406-Q (1-part)		
Series	Cleopatra		
Type	3 Handle Shower/Tub		
Main Finish	Chrome	Accent Finish	None
Valve	Ceramic Disk		
By	SS	Modified/Approved	2-16-04
Fulfillment	F30A5703CP		



406-Q (1 part)



Cleopatra 3 Handle Shower/Tub- CD/CP

#	Description	Quantity	Part #	Finish
1	Handle	3	E-029032CP	Chrome
2	Red Plug	1	E-028046H	Rubber
	Blue Plug	1	E-028046C	Rubber
	Black Plug	1	E-028046M	Rubber
3	Set Screw	3	E-008003	Metal
4	Handle Screw	3	E-008085	Metal
5	Adapter (Hot)	2	E-110114H	Plastic
	Adapter (Cold)	1	E-110114C	Plastic
6	Escutcheon	3	E-111001CP	Chrome
7	Retainer Nut	3	E-216000CP	Chrome
8	Stem Extention (Hot)	2	EA-517000H	Plastic
	Stem Extention (Cold)	1	EA-517000C	Plastic
8a	Stem Extention Fitting (Hot)	2	E-110012H*	Plastic
	Stem Extention Fitting (Cold)	1	E-110012C*	Plastic
8b	Stem Extention Body (Hot)	2	E-110007H*	Plastic
	Stem Extention Body (Cold)	1	E-110007C*	Plastic
9	Cartridge (Hot)	1	E-507003NH	Ceramic Disc
	Cartridge (Cold)	1	E-507003NC	Ceramic Disc
10	Valve	1	E-002067	Brass
11	Union Nut (Assembled)	2	EA-504100	Brass
11a	O-Ring	2	E-004064	Brass
11b	Union Sleeve	2	E-009028*	Brass
11c	Union Nut	2	E-009001*	Brass
12	Diverter Cartridge	1	EA-501016	Plastic
12a	Diverter Cartridge Housing	1	E-214008*	Plastic
12b	O-Ring	1	E-004037*	Rubber
12c	Diverter Cartridge Body	1	E-208023*	Plastic
12d	O-Ring	1	E-004011*	Rubber
12e	Diverter Cartridge Stopper	1	E-010047*	Plastic
12f	Diverter Cartridge Boot	1	E-010015*	Rubber
13	Shower Arm Escutcheon	1	E-019001CP	Chrome
14	Shower Arm	1	E-020002CP	Chrome
15	Shower Head	1	E-S11B0200CP	Chrome
16	Tub Spout	1	E-100015CP	Chrome

* Grayed parts are not available individually. "Assembled" item required.

by Associated Marketing Concepts
 21624 Marilla Street, Chatsworth, CA 91311-4123
 (800) 270-4262 * (818) 678-1651 * FAX (818) 678-1655
www.ambassador-amc.com