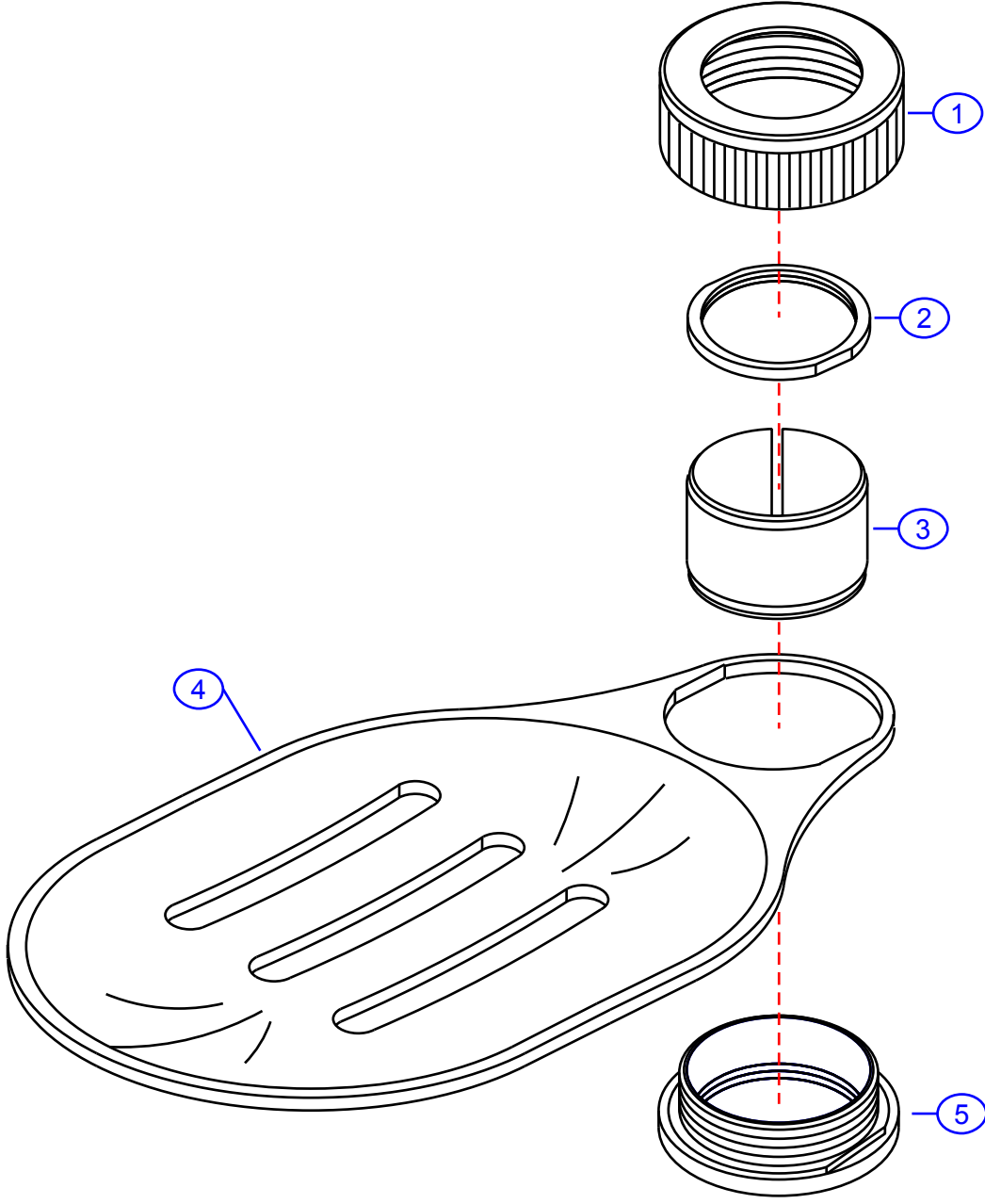


8701-J

by Associated Marketing Concepts
21624 Marilla Street, Chatsworth, CA 91311-4123
(800) 270-4262 | (818) 678-1651 | FAX (818) 678-1655
www.ambassador-amc.com



By	SS	Main Finish	Chrome	Model #	8701-J
Modified/Approved	4-5-04	Accent Finish	None	Series	Slide Bar Soap Dish
Fulfillment	A663199CP	Valve	NA	Type	Shower Head



8701-J



Slide Bar Soap Dish- CP

#	Description	Quantity	Part #	Finish
1	Lock Nut	1	E-070146CP*	Chrome
2	Packing	1	E-070147CP*	Chrome
3	Sleeve	1	E-032045*	Plastic
4	Dish	1	E-255060CP*	Chrome
5	Base	1	E-070145CP*	Chrome

* Grayed parts are not available individually. "Assembled" item required.