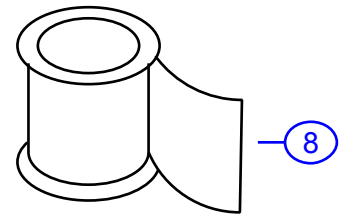
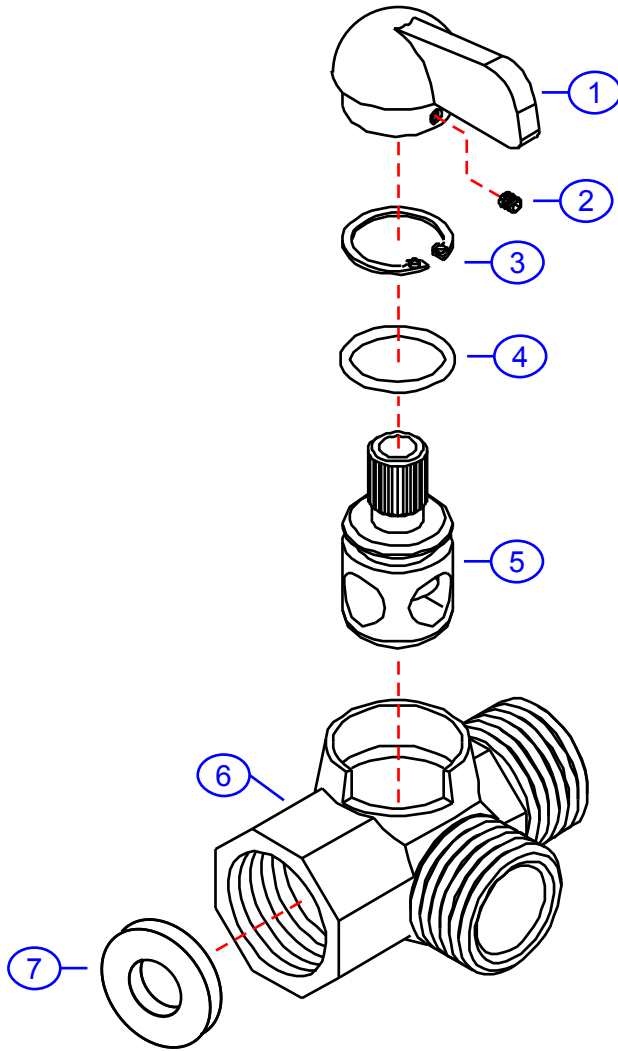


8801-J

by Associated Marketing Concepts
21624 Marilla Street, Chatsworth, CA 91311-4123
(800) 270-4262 | (818) 678-1651 | FAX (818) 678-1655
www.ambassador-amc.com



By	SS	Main Finish	Chrome	Model #	8801-J
Modified/Approved	3-31-04	Accent Finish	None	Series	Shower Arm Diverter
Fulfillment	A50112CP	Valve	NA	Type	Shower Head



8801-J



Shower Arm Diverter- CP

#	Description	Quantity	Part #	Finish
1	Knob	1	E-079006CP*	Chrome
2	Set Screw	1	E-075119*	Metal
3	"C" Clip	1	E-045043*	Metal
4	O-Ring	1	E-072095*	Rubber
5	Diverter	1	E-024087*	Brass
6	Diverter Body	1	E-131008CP*	Chrome
7	Washer	1	E-058062	Rubber
8	Teflon Tape	1	E-203000	Tape

* Grayed parts are not available individually. "Assembled" item required.