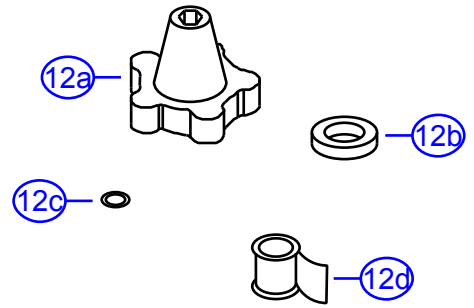
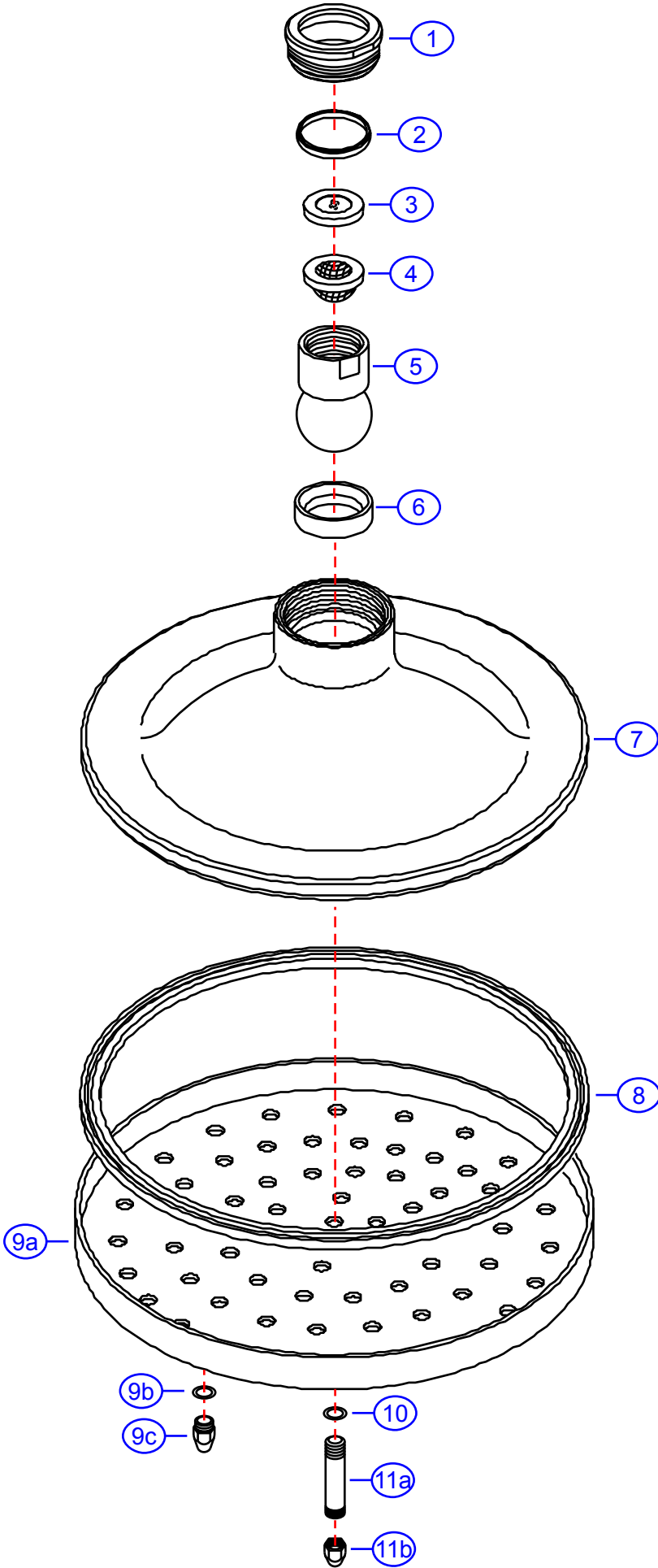


8106-N

by Associated Marketing Concepts
 21624 Marilla Street, Chatsworth, CA 91311-4123
 (800) 270-4262 | (818) 678-1651 | FAX (818) 678-1655
 www.ambassador-amc.com



By	SS	Main Finish	Brushed Nickel	Model #	8106-N
Modified/Approved	4-20-17	Accent Finish	None	Series	6" Sunflower
Fulfillment	S1113601NP	Valve	NA	Type	Shower Head



8106-N



6" Sunflower Shower Head- NP

#	Description	Quantity	Part #	Finish
1	Retainer Nut	1	E-054124NP*	Brushed Nickel
2	Packing Ring	1	E-060151*	Plastic
3	Water Restrictor	1	E-113011	Plastic
4	Washer	1	E-022028	Rubber
5	Ball Joint	1	E-057008NP*	Brushed Nickel
6	Gasket	1	E-058001	Rubber
7	Housing	1	E-055067NP*	Brushed Nickel
8	Gasket	1	E-058020	Rubber
9	Face Plate (Assembled)	1	EA-112111NP*	Brushed Nickel
9a	Face Plate	1	E-112139NP*	Brushed Nickel
9b	O-Ring	60	E-063037*	Rubber
9c	Nipple	60	E-112110NP*	Brushed Nickel
10	O-Ring	1	E-004058	Rubber
11	Face Screw (Assembled)	1	EA-053042NP	Brushed Nickel
11a	Screw Body	1	E-053083*	Metal
11b	Screw Head	1	E-053084NP*	Brushed Nickel
12	Sunflower Repair Kit	1	EA-504600	Plastic/Rubber
12a	Sunflower Tool	1	E-031008	Plastic
12b	Washer	1	E-058007	Rubber
12c	O-Ring	1	E-004058	Rubber
12d	Teflon Tape	1	E-203000	Tape

* Grayed parts are not available individually. "Assembled" item required.