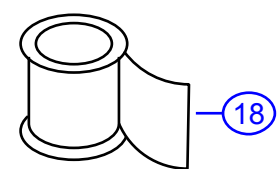
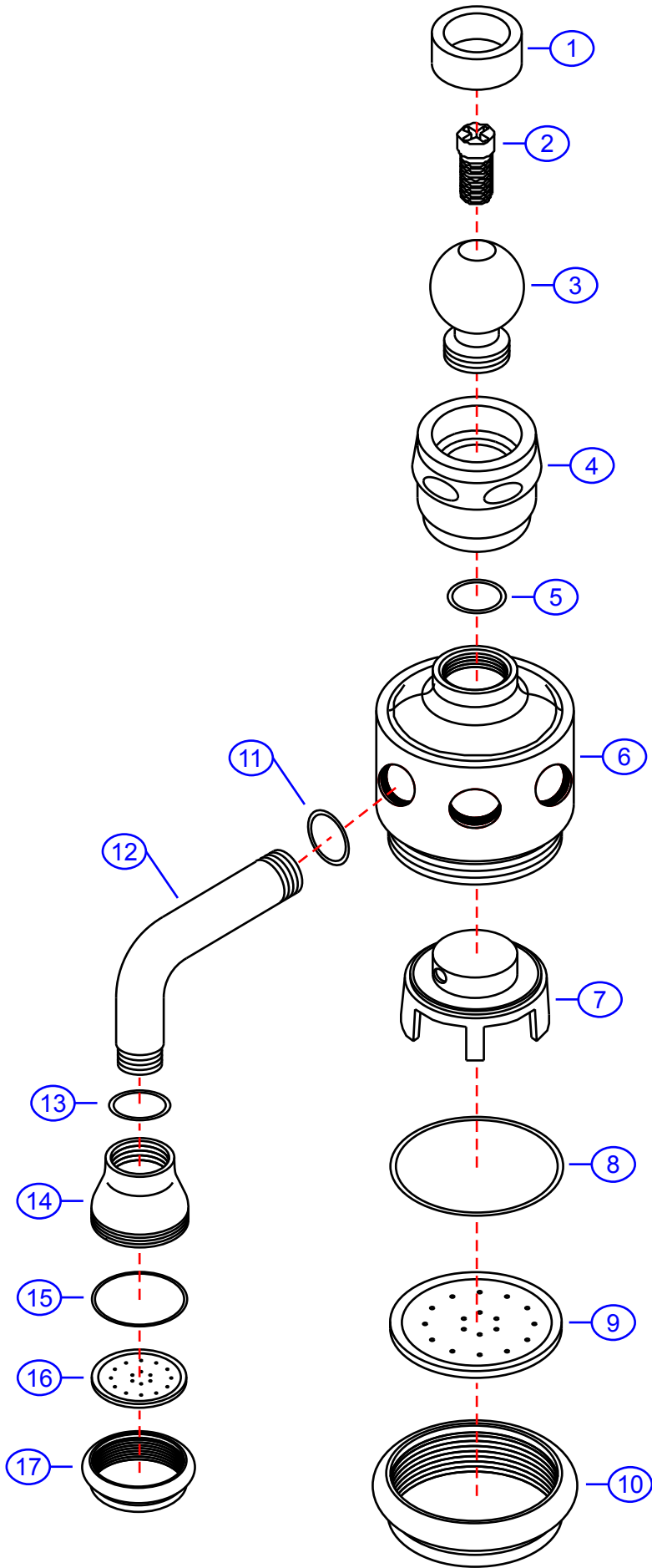


8115-Y

by Associated Marketing Concepts
21624 Marilla Street, Chatsworth, CA 91311-4123
(800) 270-4262 | (818) 678-1651 | FAX (818) 678-1655
www.ambassador-amc.com



By	SS	Main Finish	Chrome	Model #	8115-Y
Modified/Approved	4-1-04	Accent Finish	Dura-Life Finish	Series	Mirage
Fulfillment	S110500CY	Valve	NA	Type	Shower Head



8115-Y



Mirage Showerhead- CY

#	Description	Quantity	Part #	Finish
1	Washer	1	E-058042	Rubber
2	Water Restrictor	1	E-075011	Metal
3	Ball Joint	1	E-077045CP*	Chrome
4	Connector	1	E-077047CP*	Chrome
5	O-Ring	1	E-048084	Rubber
6	Body	1	E-076015CP*	Chrome
7	Diverter	1	E-209022	Plastic
8	O-Ring	1	E-063087	Rubber
9	Center Disc	1	E-112258CP	Chrome
10	Center Collar	1	E-045037YP	Dura-Life Finish
11	O-Ring	6	E-072058	Rubber
12	Arm	6	E-020072CP*	Chrome
13	O-Ring	6	E-072058	Rubber
14	Housing	6	E-077046CP*	Chrome
15	O-Ring	6	E-004010N	Rubber
16	Disc	6	E-112260CP	Chrome
17	Collar	6	E-033041YP	Dura-Life Finish
18	Teflon Tape	1	E-203000	Tape

* Grayed parts are not available individually. "Assembled" item required.