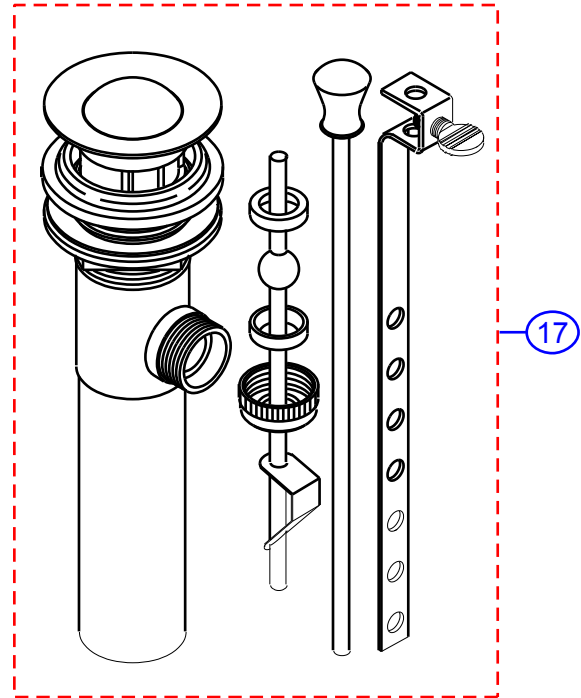
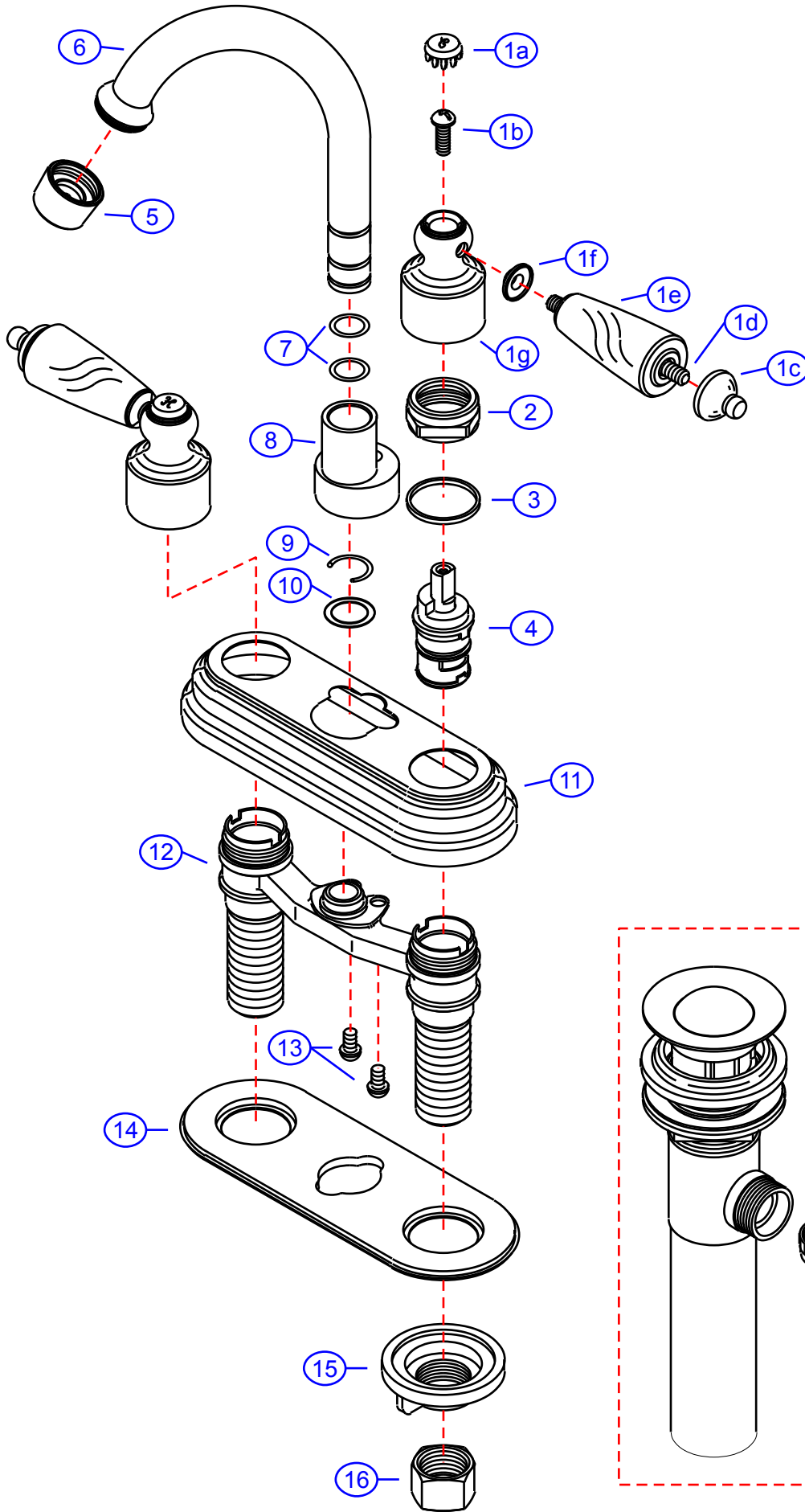


101-G

by Associated Marketing Concepts
 21624 Marilla Street, Chatsworth, CA 91311-4123
 (800) 270-4262 • (818) 678-1651 • FAX (818) 678-1655
 www.ambassador-amc.com

Ambassador
 FINE FAUCETS

By	SS	Main Finish	18k Gold	Model #	101-G
Modified/Approved	7-6-04	Accent Finish	Gray Marble	Series	Gray Marble
Fulfillment	F60C7200GW	Valve	Ceramic Disk	Type	Wet Bar



101-G



Gray Marble Wet Bar- CD/GP

#	Description	Quantity	Part #	Finish
1	Marble 4" Handle (Hot)	1	EA-662775HGP	Gold/Marble
	Marble 4" Handle (Cold)	1	EA-662775CGP	Gold/Marble
1a	Cap "H"	1	E-206041HGP	Gold
	Cap "C"	1	E-206041CGP	Gold
1b	Screw	2	E-008044CP	Metal
1c	Handle Tip	2	E-109003GP	Gold
1d	Handle Rod	2	E-017045	Brass
1e	Handle (Marble)	2	E-108027	Gray Marble
1f	Spacer	2	E-107034GP	Gold
1g	Canopy (Hot)	1	E-018019HGP	Gold
	Canopy (Cold)	1	E-018019CGP	Gold
2	Retainer Nut	2	E-016002	Brass
3	Packing Ring	2	E-200013	Plastic
4	Cartridge (Hot)	1	E-507003NH	Ceramic Disc
	Cartridge (Cold)	1	E-507003NC	Ceramic Disc
5	Aerator	1	E-500012NGP	Gold
6	Spout	1	E-100019NGP	Gold
7	O-Ring	2	E-004079N	Rubber
8	Bonnet	1	E-000002NGP	Gold
9	Wire Clip	1	E-012005	Metal
10	O-Ring	1	E-004035N	Rubber
11	Cover Plate	1	E-007053GP	Gold
12	Valve Body	1	E-002028N	Brass
13	Screw	2	E-008017CP	Chrome
14	Gasket	1	E-011012	Plastic
15	Thumb Screw	2	E-009007	Plastic
16	Connector Nuts	2	E-009016	Brass
17	Drain Kit (see "Drains" for parts)	1	EA-505039GP	Gold

* Grayed parts are not available individually. "Assembled" item required.

by Associated Marketing Concepts
21624 Marilla Street, Chatsworth, CA 91311-4123
(800) 270-4262 * (818) 678-1651 * FAX (818) 678-1655
www.ambassador-amc.com