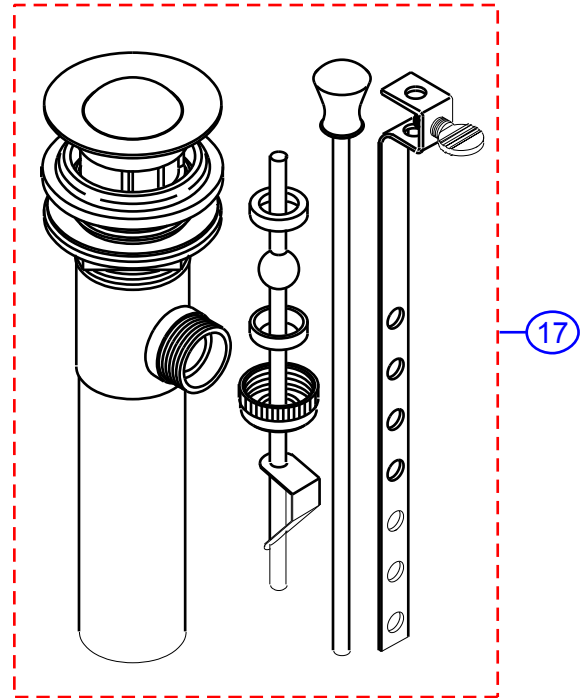
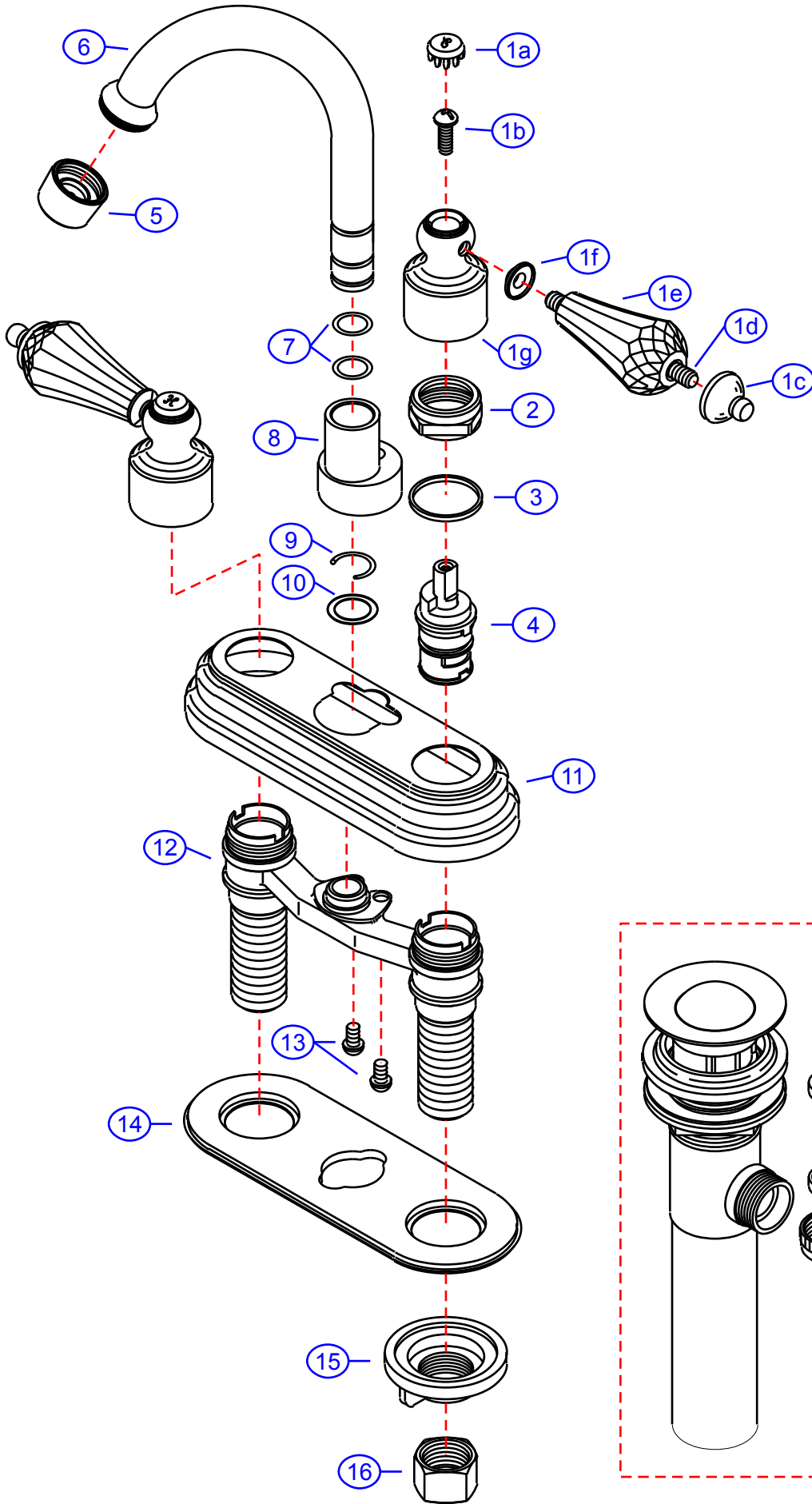


201-C

by Associated Marketing Concepts
 21624 Marilla Street, Chatsworth, CA 91311-4123
 (800) 270-4262 | (818) 678-1651 | FAX (818) 678-1655
 www.ambassador-amc.com

| | | | |
|-------------------|--------------|---------|--------------|
| Model # | 201-C | | |
| Series | Crystal | | |
| Type | Wet Bar | | |
| Main Finish | Chrome | Acrylic | Ceramic Disk |
| Accent Finish | | | |
| Valve | | | |
| By | SS | | |
| Modified/Approved | 7-6-04 | | |
| Fulfillment | F60C3200CP | | |



201-C



Crystal Wet Bar- CD/CP

| # | Description | Quantity | Part # | Finish |
|----|------------------------------------|----------|--------------|----------------|
| 1 | Crystal 4" Handle (Hot) | 1 | EA-662777HCP | Chrome/Acrylic |
| | Crystal 4" Handle (Cold) | 1 | EA-662777CCP | Chrome/Acrylic |
| 1a | Cap "H" | 1 | E-206041HCP | Chrome |
| | Cap "C" | 1 | E-206041CCP | Chrome |
| 1b | Screw | 2 | E-008044CP | Metal |
| 1c | Handle Tip | 2 | E-109003CP | Chrome |
| 1d | Handle Rod | 2 | E-017045CP | Chrome |
| 1e | Handle (Crystal) | 2 | E-108034 | Acrylic |
| 1f | Spacer | 2 | E-107034CP | Chrome |
| 1g | Canopy (Hot) | 1 | E-018019HCP | Chrome |
| | Canopy (Cold) | 1 | E-018019CCP | Chrome |
| 2 | Retainer Nut | 2 | E-016002CP | Chrome |
| 3 | Packing Ring | 2 | E-200013 | Plastic |
| 4 | Cartridge (Hot) | 1 | E-507003NH | Ceramic Disc |
| | Cartridge (Cold) | 1 | E-507003NC | Ceramic Disc |
| 5 | Aerator | 1 | E-500012NCP | Chrome |
| 6 | Spout | 1 | E-100019NCP | Chrome |
| 7 | O-Ring | 2 | E-004079N | Rubber |
| 8 | Bonnet | 1 | E-000002NCP | Chrome |
| 9 | Wire Clip | 1 | E-012005 | Metal |
| 10 | O-Ring | 1 | E-004035N | Rubber |
| 11 | Cover Plate | 1 | E-007053CP | Chrome |
| 12 | Valve Body | 1 | E-002028N | Brass |
| 13 | Screw | 2 | E-008017CP | Chrome |
| 14 | Gasket | 1 | E-011012 | Plastic |
| 15 | Thumb Screw | 2 | E-009007 | Plastic |
| 16 | Connector Nuts | 2 | E-009016 | Brass |
| 17 | Drain Kit (see "Drains" for parts) | 1 | EA-505039CP | Chrome |

* Grayed parts are not available individually. "Assembled" item required.

by Associated Marketing Concepts
 21624 Marilla Street, Chatsworth, CA 91311-4123
 (800) 270-4262 * (818) 678-1651 * FAX (818) 678-1655
www.ambassador-amc.com