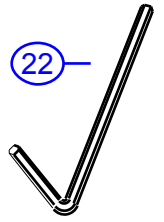
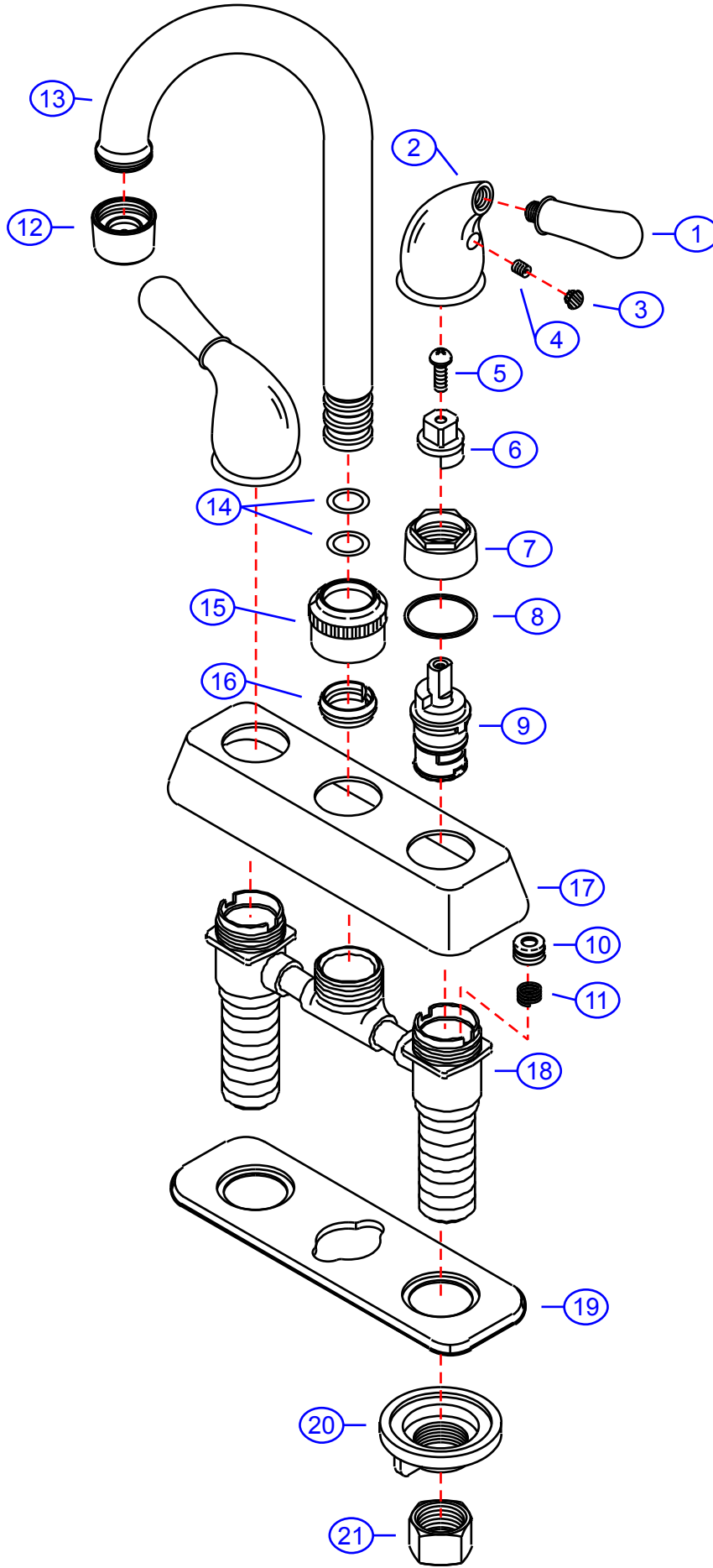


# 317-6500P

by Associated Marketing Concepts  
21624 Marilla Street, Chatsworth, CA 91311-4123  
(800) 270-4262 | (818) 678-1651 | FAX (818) 678-1655  
www.ambassador-amc.com



By	SS	Main Finish	Chrome	Model #	<b>317-6500P</b>
Modified/Approved	7-6-04	Accent Finish	18k Gold	Series	Cleopatra
Fulfillment	xxxxCG	Valve	Standard (Washerless)	Type	Wet Bar



# 317-6500P



## Cleopatra Wet Bar- Std/CG

#	Description	Quantity	Part #	Finish
1	Handle Tip	2	E-108041GP	Gold
2	Handle Canopy	2	E-018052CP	Chrome
3	Red Plug	1	E-028046H	Rubber
	Blue Plug	1	E-028046C	Rubber
4	Set Screw	2	E-008003	Metal
5	Handle Screw	2	E-008044CP	Chrome
6	Adapter (Hot)	1	E-110114H	Plastic
	Adapter (Cold)	1	E-110114C	Plastic
7	Retainer Nut	2	E-016002CP	Chrome
8	Packing Ring	2	E-200013	Plastic
9	Cartridge	2	E-507006N	Plastic/Brass
10	Seat	2	E-101000N	Rubber
11	Spring	2	E-005000	Metal
12	Aerator	1	E-500012NGP	Gold
13	Spout	1	E-100036NCP	Chrome
14	O-Ring	2	E-004005N	Rubber
15	Bonnet	1	E-000004CP	Chrome
16	Packing Ring	1	E-012003	Plastic
17	Cover Plate	1	E-007015CP	Chrome
18	Valve Body	1	E-002054N	Brass
19	Gasket	1	E-011018	Plastic
20	Thumb Nut	2	E-009007	Plastic
21	Connector Nuts	2	E-009016	Brass
22	Allen Key	1	E-031000	Metal

\* Grayed parts are not available individually. "Assembled" item required.

by Associated Marketing Concepts  
21624 Marilla Street, Chatsworth, CA 91311-4123  
(800) 270-4262 \* (818) 678-1651 \* FAX (818) 678-1655  
www.ambassador-amc.com