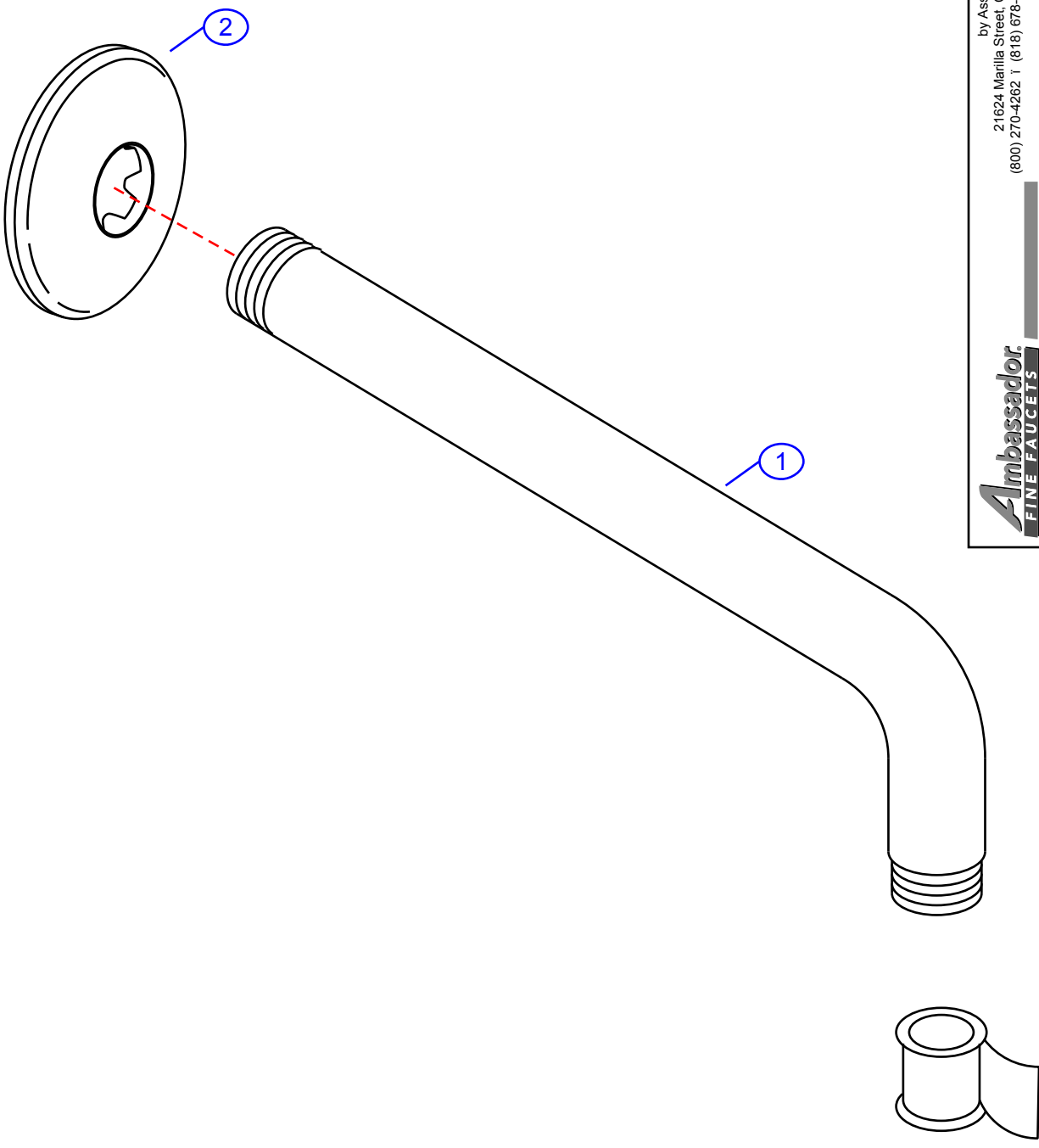


8090-A

by Associated Marketing Concepts
21624 Marilla Street, Chatsworth, CA 91311-4123
(800) 270-4262 | (818) 678-1651 | FAX (818) 678-1655
www.ambassador-amc.com



By	SS	Main Finish	18k Gold	Model #	8090-A
Modified/Approved	4-1-04	Accent Finish	None	Series	90 [∞] Extra Long Arm
Fulfillment	B81026GP	Valve	NA	Type	Shower Head



8090-A



90° Extra Long Arm- GP

#	Description	Quantity	Part #	Finish
1	Arm	1	G-xxxxGP*	Gold
2	Shower Arm Escutcheon	1	E-019001GP	Gold
3	Teflon Tape	1	E-203000	Tape

* Grayed parts are not available individually. "Assembled" item required.

by Associated Marketing Concepts
21624 Marilla Street, Chatsworth, CA 91311-4123
(800) 270-4262 * (818) 678-1651 * FAX (818) 678-1655
www.ambassador-amc.com