

Rev. Change

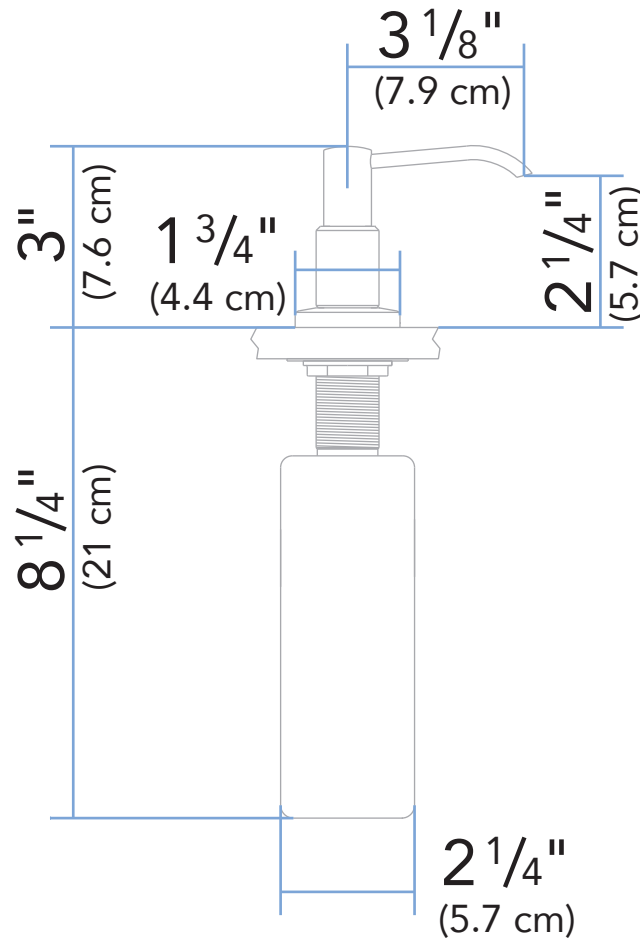
| | |
|---|--------------------|
| A | SHURflo branded |
| B | Ambassador branded |
| C | |
| D | |
| E | |
| F | |
| G | |



www.ambassadormarine.com
(800) 270-4262

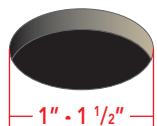
Model #
130-0011-xx

Rev #
B



Installation Hole Requirement

This unit requires a **minimum** of this/these hole(s)



Your existing sink/countertop may have additional hole(s) pre-drilled, which may not be required for this installation.

If it does, you may be able to utilize a deck/cover plate or install an additional accessory (i.e. soap dispenser, purified water dispenser, hot water dispenser, etc.) to utilize the extra hole(s).

We offer a variety of deck/cover plates and soap dispensers to coordinate with your faucet and decor.

ALL DIMENSIONS $\pm 1/16"$
SOME COMPONENTS MAY NOT BE DRAWN TO SCALE

Ambassador Marine Inc. reserves the right to make product specification changes and to change or discontinue models without notice or obligation