

**Rev. Change**

A	SHURflo branded
B	Ambassador branded
C	Refreshed
D	
E	
F	
G	



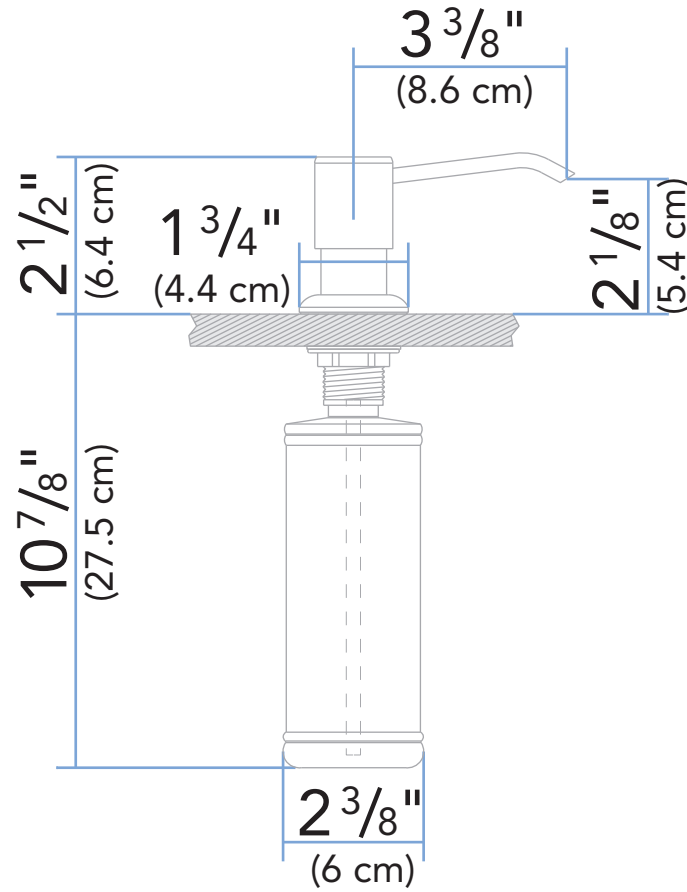
www.ambassadormarine.com  
(800) 270-4262

Model #

**130-0011-xx**

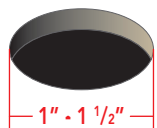
Rev #

**C**



**Installation Hole Requirement**

This unit requires a **minimum** of this/these hole(s)



Your existing sink/countertop may have additional hole(s) pre-drilled, which may not be required for this installation.

If it does, you may be able to utilize a deck/cover plate or install an additional accessory (i.e. soap dispenser, purified water dispenser, hot water dispenser, etc.) to utilize the extra hole(s).

We offer a variety of deck/cover plates and soap dispensers to coordinate with your faucet and decor.

ALL DIMENSIONS  $\pm 1/16$ "  
SOME COMPONENTS MAY NOT BE DRAWN TO SCALE

Ambassador Marine Inc. reserves the right to make product specification changes and to change or discontinue models without notice or obligation