

Rev. Change

A	Ambassador branded
B	
C	
D	
E	
F	
G	



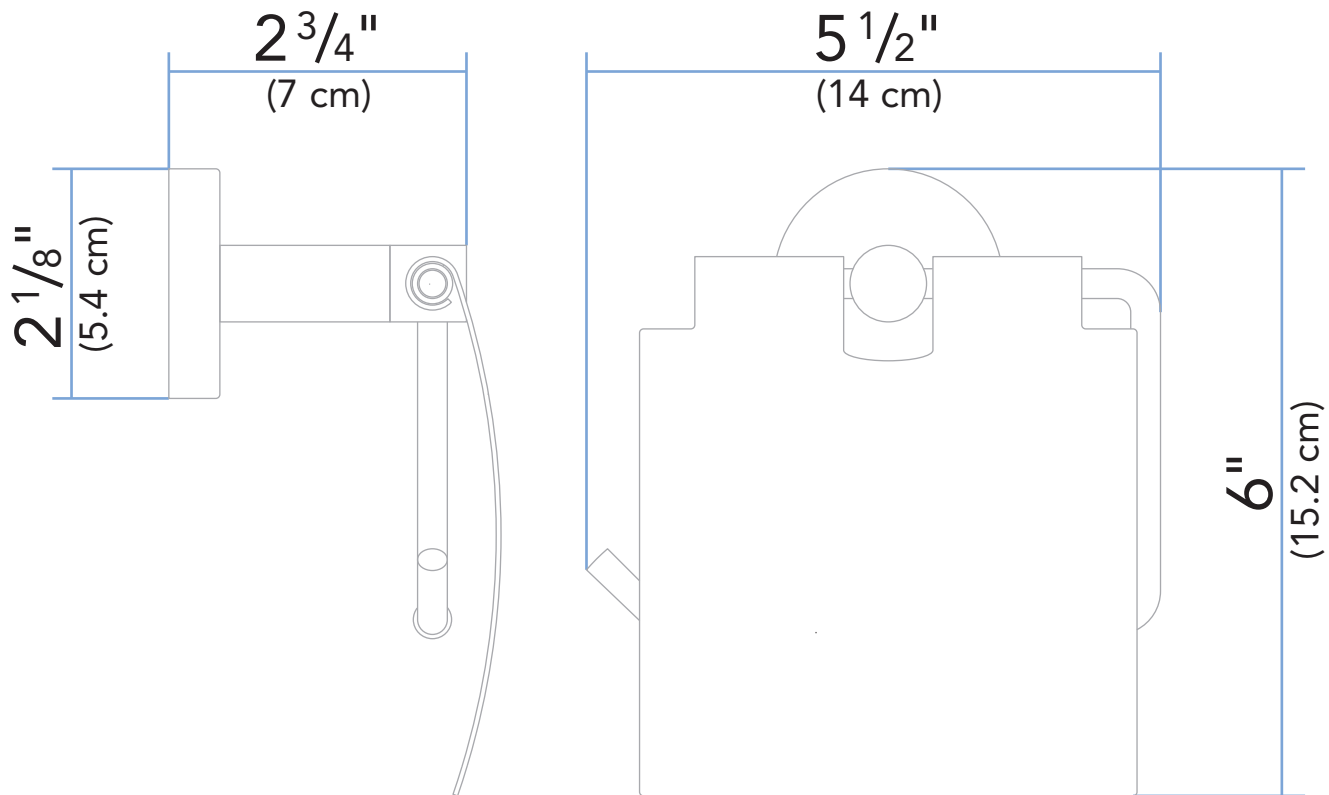
www.ambassadormarine.com  
(800) 270-4262

Model #

**130-1901-xx**

Rev #

**A**



ALL DIMENSIONS  $\pm 1/16"$   
SOME COMPONENTS MAY NOT BE DRAWN TO SCALE  
Ambassador Marine Inc. reserves the right to make product specification changes and to change or discontinue models without notice or obligation