

Rev. Change

| | |
|---|--------------------|
| A | Ambassador branded |
| B | |
| C | |
| D | |
| E | |
| F | |
| G | |



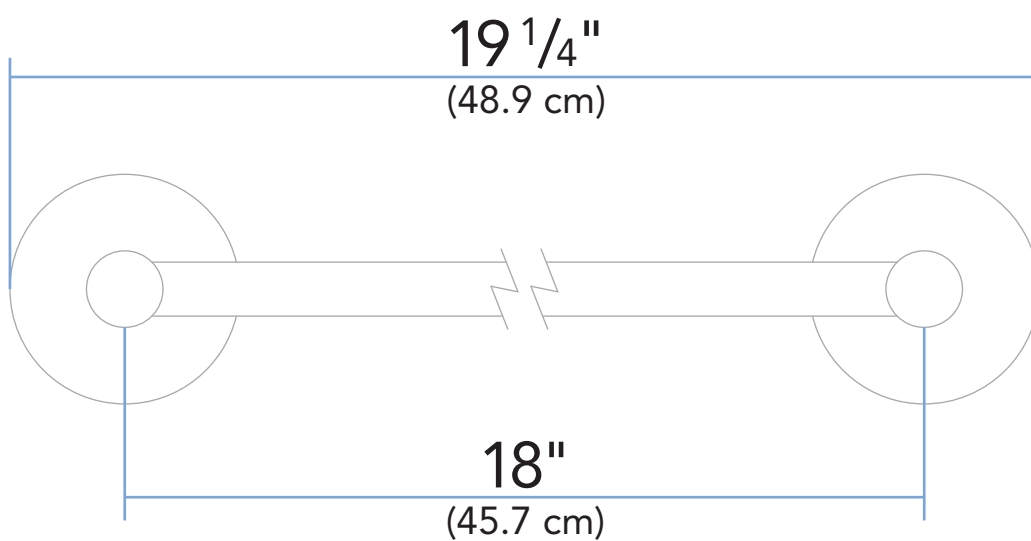
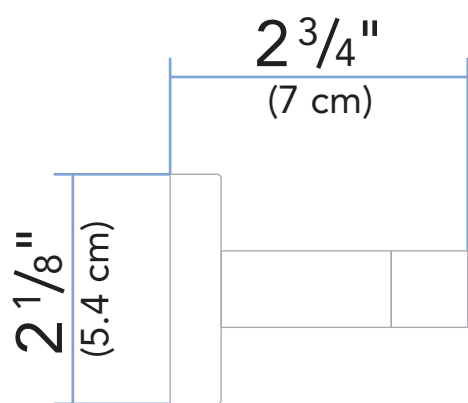
www.ambassadormarine.com
(800) 270-4262

Model #

130-1925-xx

Rev #

A



ALL DIMENSIONS $\pm 1/16"$
SOME COMPONENTS MAY NOT BE DRAWN TO SCALE

Ambassador Marine Inc. reserves the right to make product specification changes and to change or discontinue models without notice or obligation