

Rev. Change

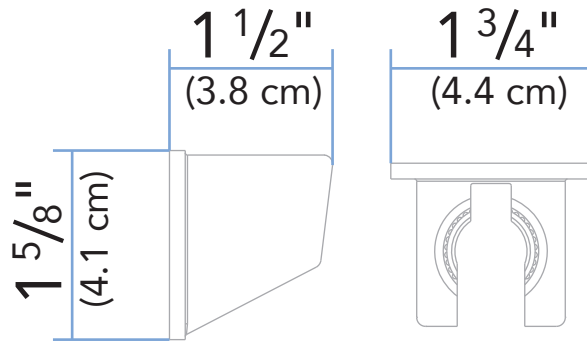
A	Ambassador branded
B	Refreshed
C	
D	
E	
F	
G	



www.ambassadormarine.com  
(800) 270-4262

Model # **131-0212-xx**

Rev # **B**



ALL DIMENSIONS  $\pm \frac{1}{16}''$   
SOME COMPONENTS MAY NOT BE DRAWN TO SCALE

Ambassador Marine Inc. reserves the right to make product specification changes and to change or discontinue models without notice or obligation