

Rev. Change

A	SHURflo branded
B	Ambassador branded
C	Add Bag Rivet Holes
D	Add Cup Bottom Ring
E	Refreshed
F	
G	



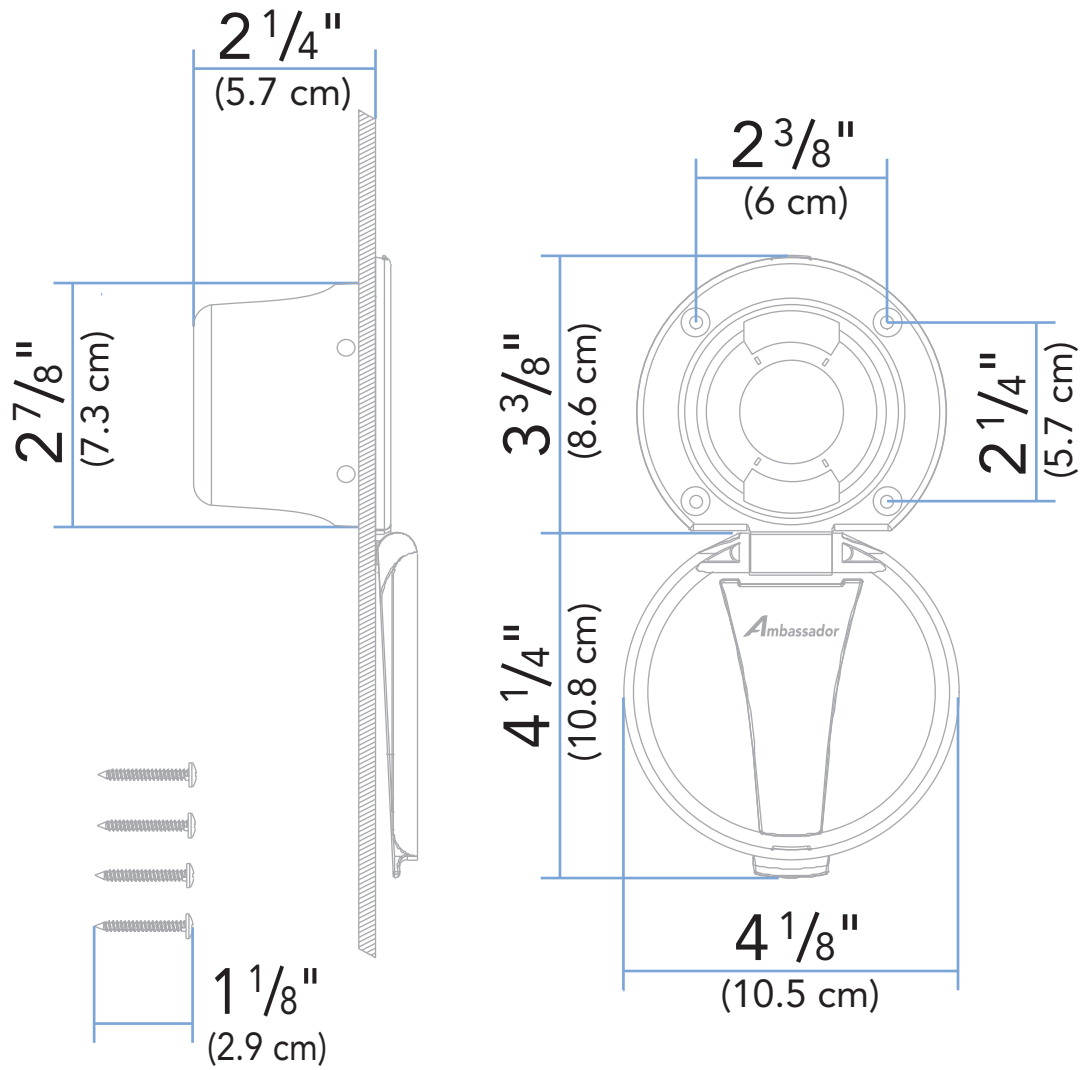
www.ambassadormarine.com
(800) 270-4262

Model #

136-0005-xx

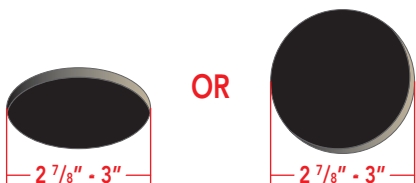
Rev #

E



Installation Hole Requirement

This unit requires a **minimum** of this/these hole(s)



Deck-Mount

Wall-Mount

ALL DIMENSIONS $\pm \frac{1}{16}''$
SOME COMPONENTS MAY NOT BE DRAWN TO SCALE

Ambassador Marine Inc. reserves the right to make product specification changes and to change or discontinue models without notice or obligation