

Rev. Change

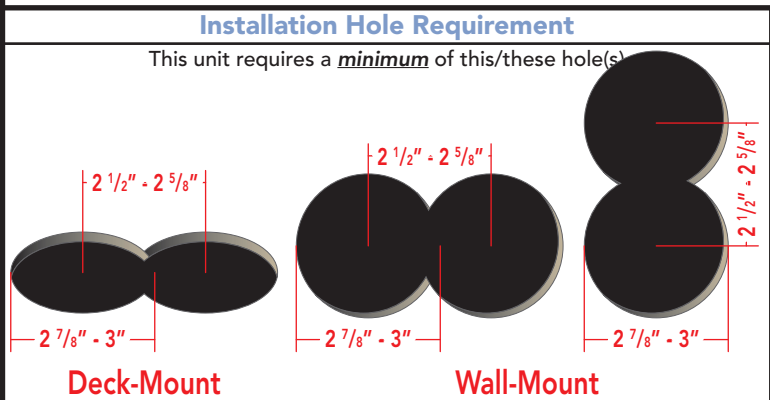
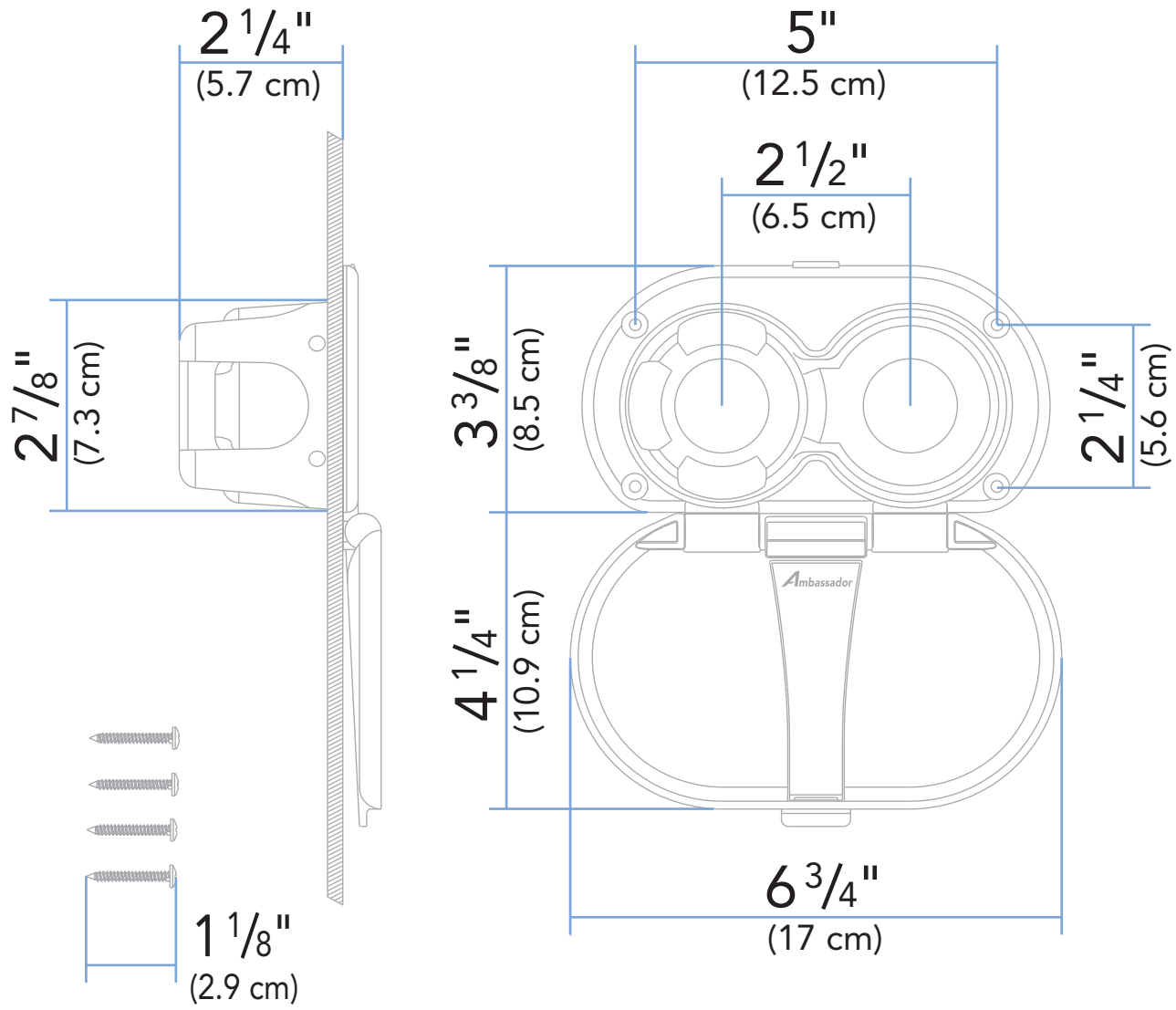
A	Ambassador branded
B	
C	
D	
E	
F	
G	



www.ambassadormarine.com
(800) 270-4262

Model # **136-0010-xx**

Rev # **A**



ALL DIMENSIONS $\pm \frac{1}{16}''$
SOME COMPONENTS MAY NOT BE DRAWN TO SCALE
Ambassador Marine Inc. reserves the right to make product specification changes and to change or discontinue models without notice or obligation