

**Rev. Change**

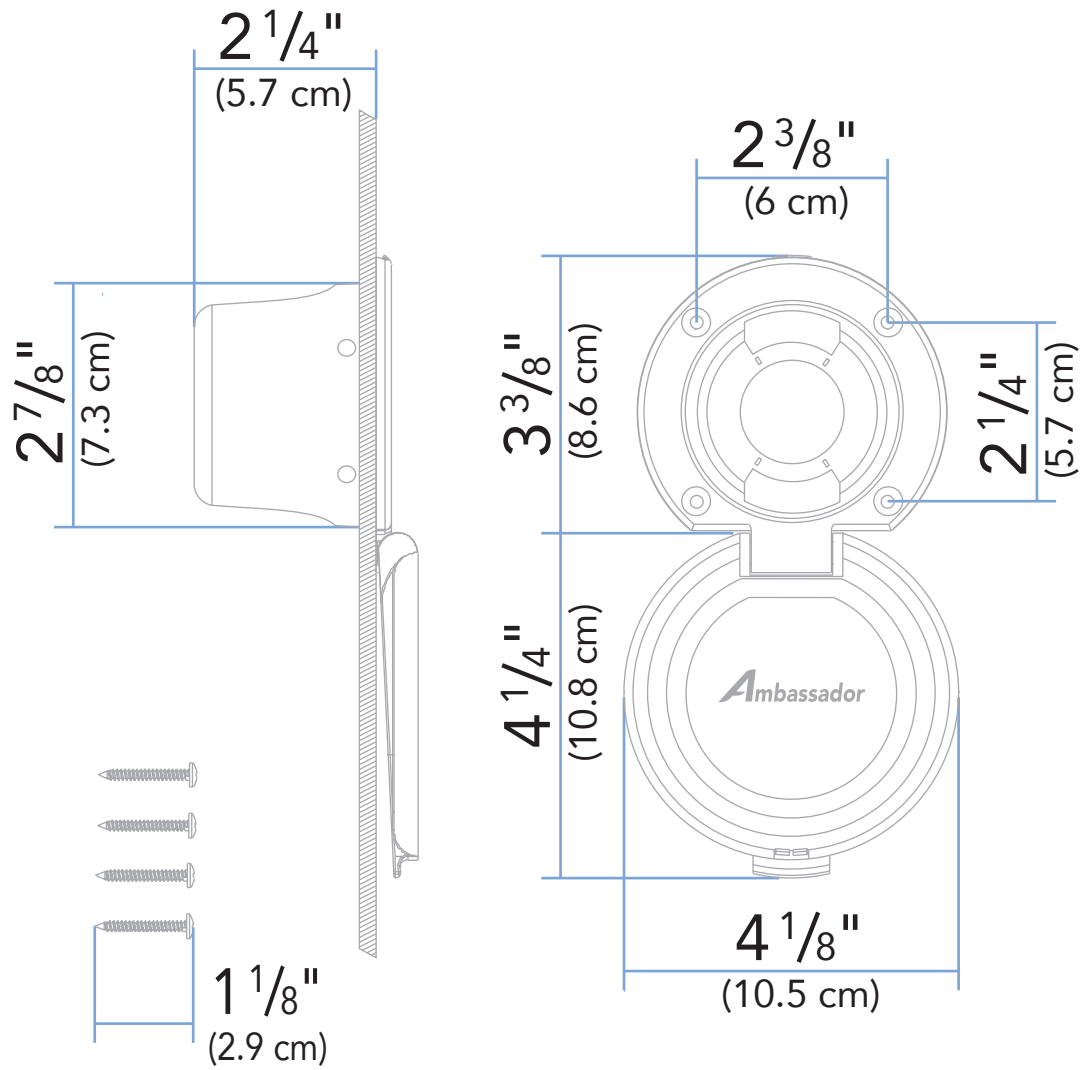
A	Ambassador Branded
B	Spring-Clip Latch
C	Add Bag Rivet Holes
D	Add Cup Bottom Ring
E	Refreshed
F	Gasket Lid / Cup Lip
G	



www.ambassadormarine.com  
(800) 270-4262

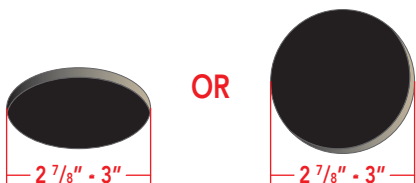
Model # **136-0015-xx**

Rev # **F**



**Installation Hole Requirement**

This unit requires a **minimum** of this/these hole(s)



**Deck-Mount**

**Wall-Mount**

ALL DIMENSIONS  $\pm 1/16$ "  
SOME COMPONENTS MAY NOT BE DRAWN TO SCALE

Ambassador Marine Inc. reserves the right to make product specification changes and to change or discontinue models without notice or obligation