

Rev. Change

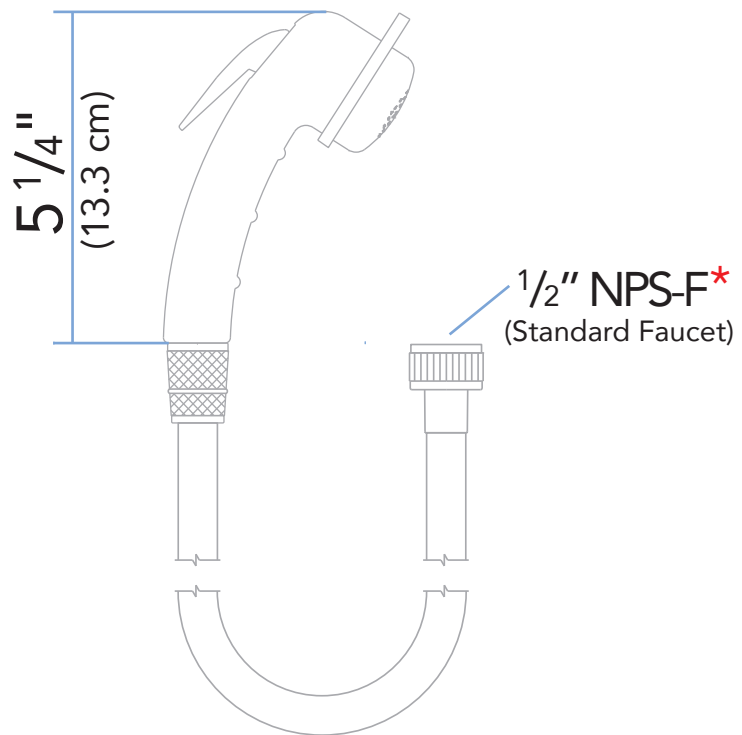
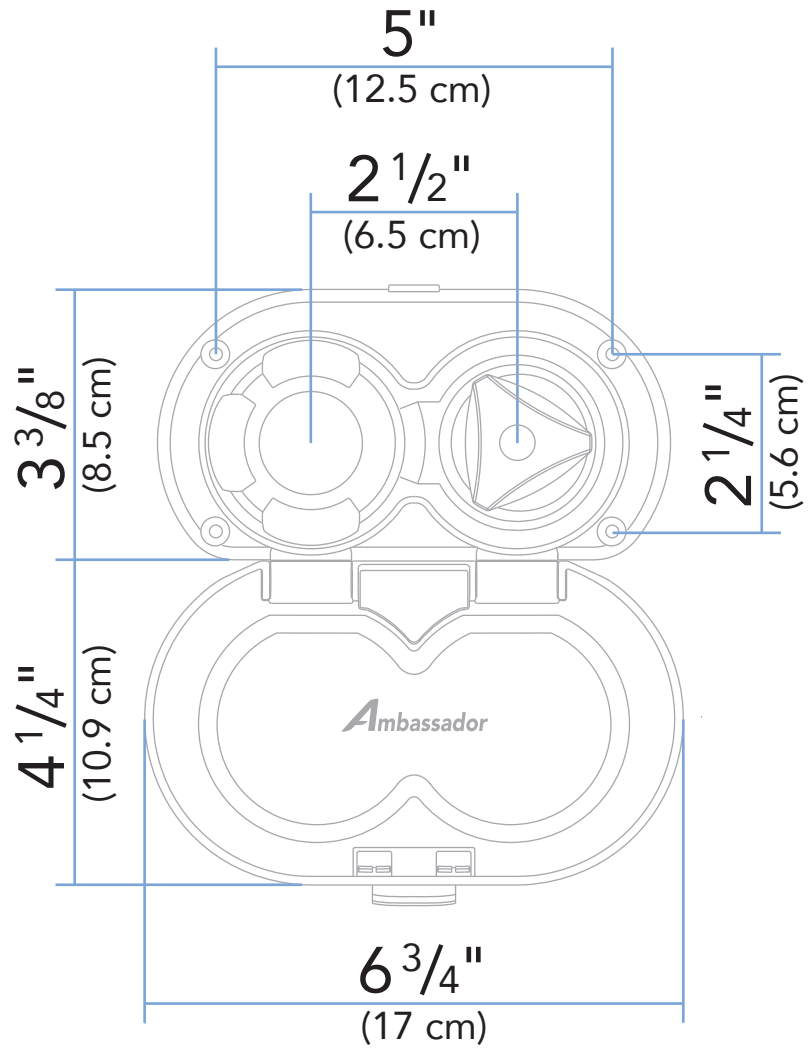
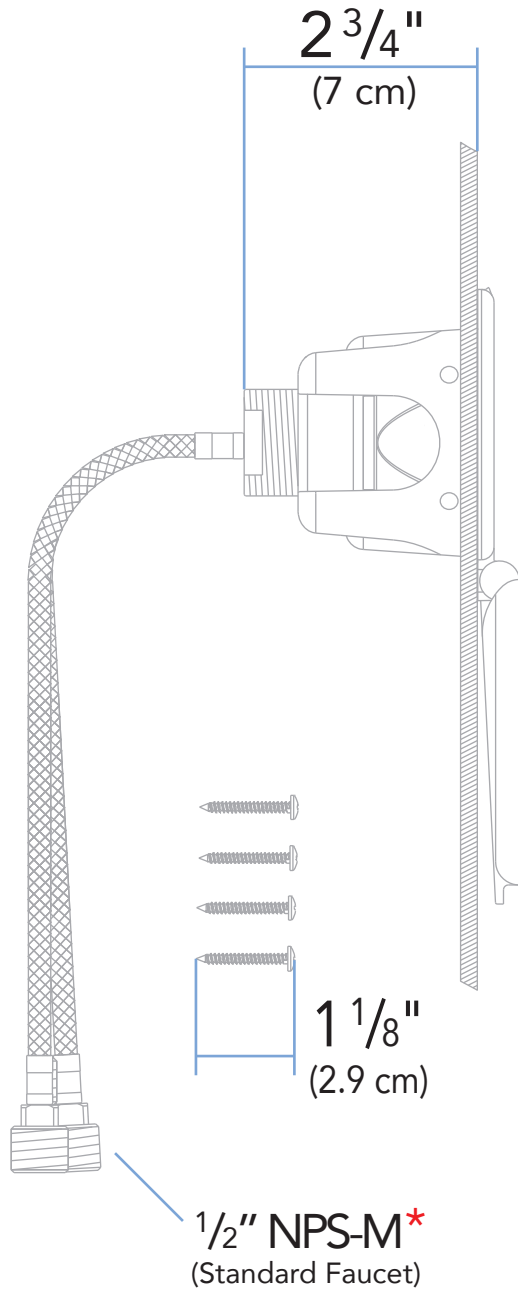
A	Ambassador branded
B	
C	
D	
E	
F	
G	



www.ambassadormarine.com
(800) 270-4262

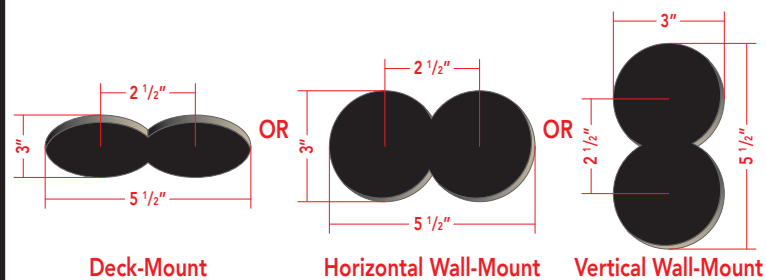
Model # **136-0240-xx**

Rev # **A**



Installation Hole Requirement

This unit requires a **minimum** of this/these hole(s)



ALL DIMENSIONS ± 1/16"

SOME COMPONENTS MAY NOT BE DRAWN TO SCALE

Ambassador Marine Inc. reserves the right to make product specification changes and to change or discontinue models without notice or obligation