

**Rev. Change**

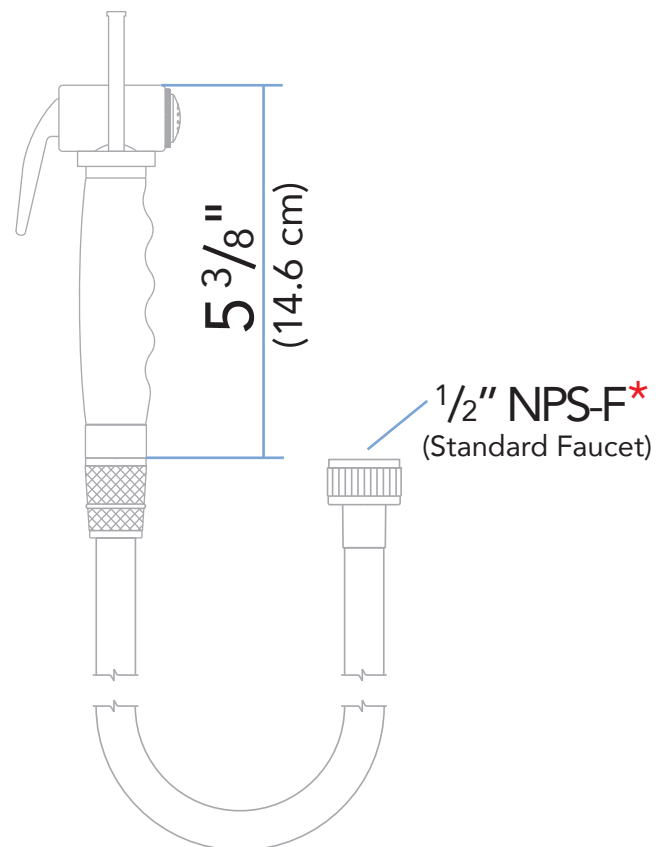
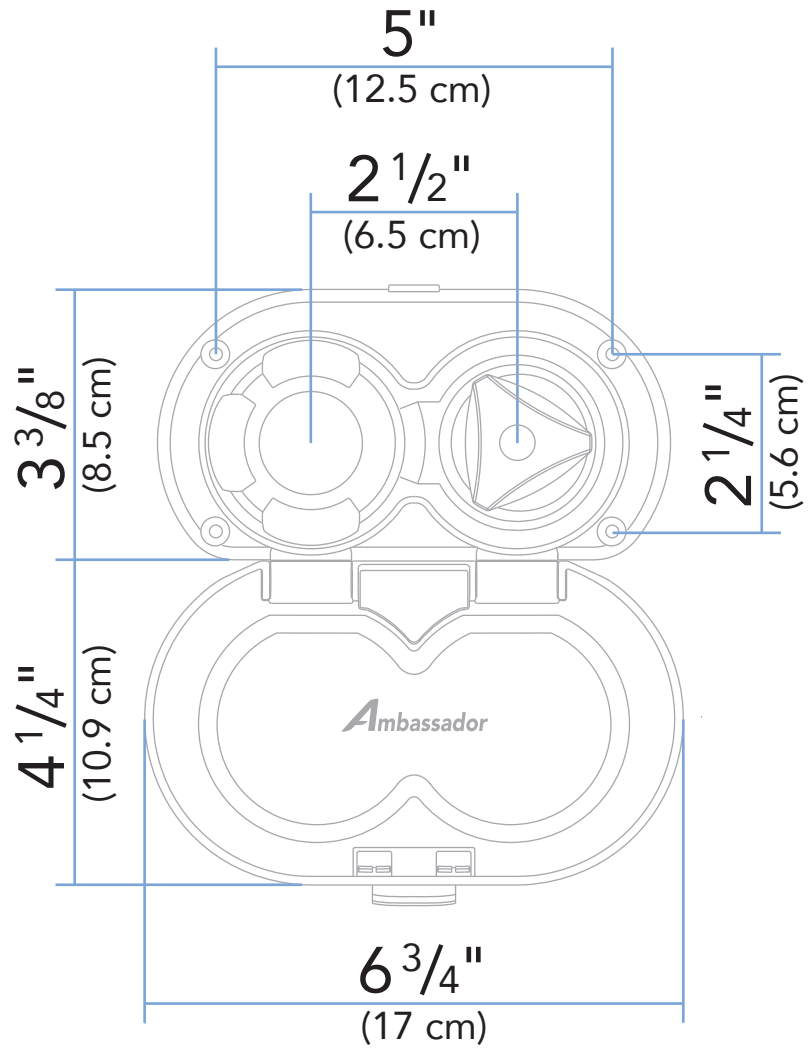
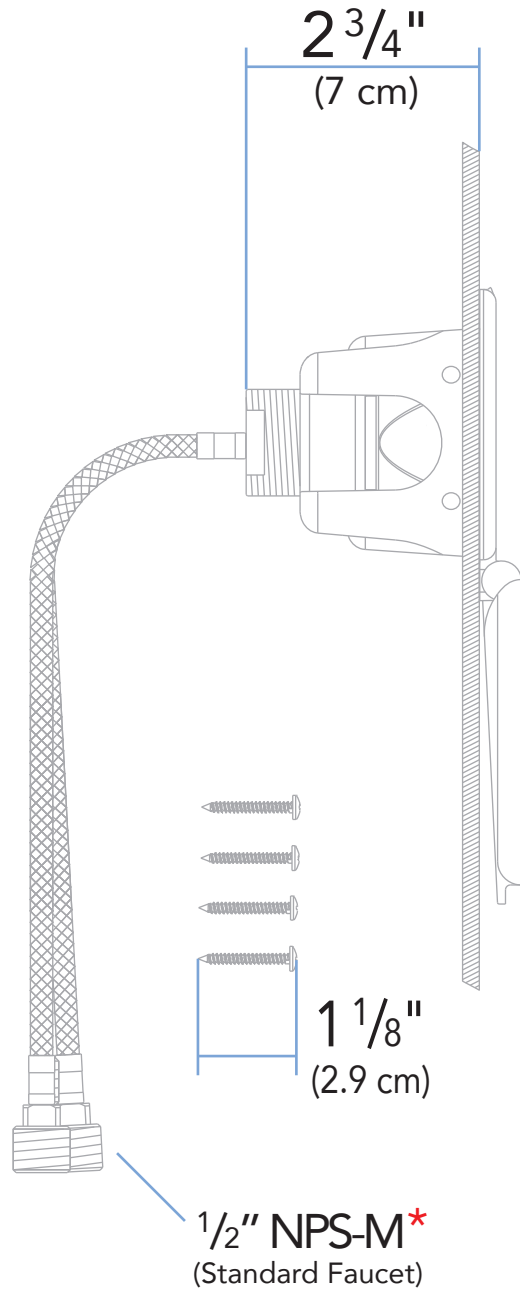
A	Ambassador branded
B	
C	
D	
E	
F	
G	



www.ambassadormarine.com  
(800) 270-4262

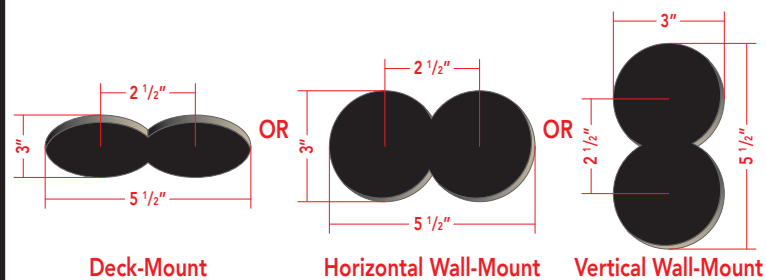
Model # **136-0244-xx**

Rev # **A**



**Installation Hole Requirement**

This unit requires a **minimum** of this/these hole(s)



ALL DIMENSIONS ± 1/16"

SOME COMPONENTS MAY NOT BE DRAWN TO SCALE  
Ambassador Marine Inc. reserves the right to make product specification changes and to change or discontinue models without notice or obligation