

**Rev. Change**

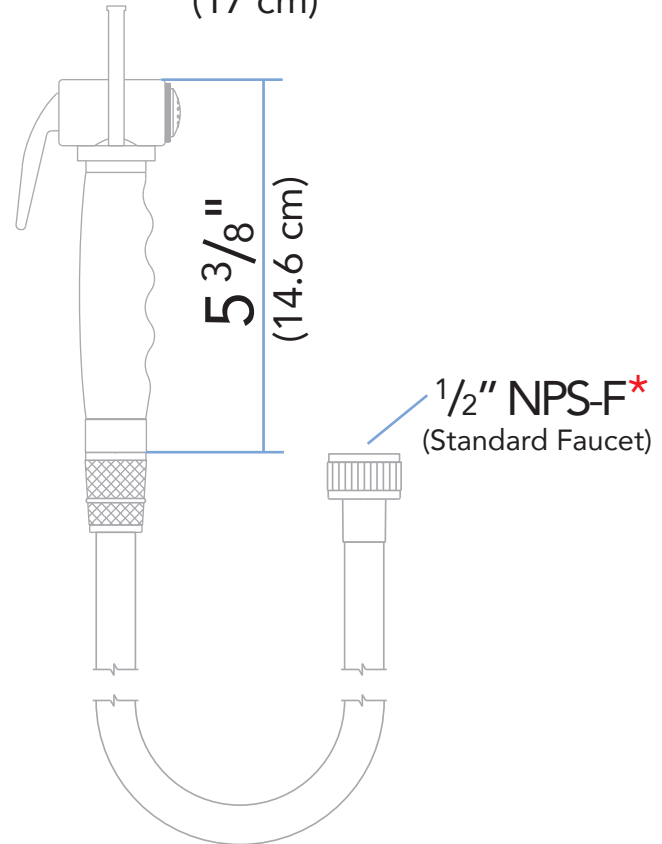
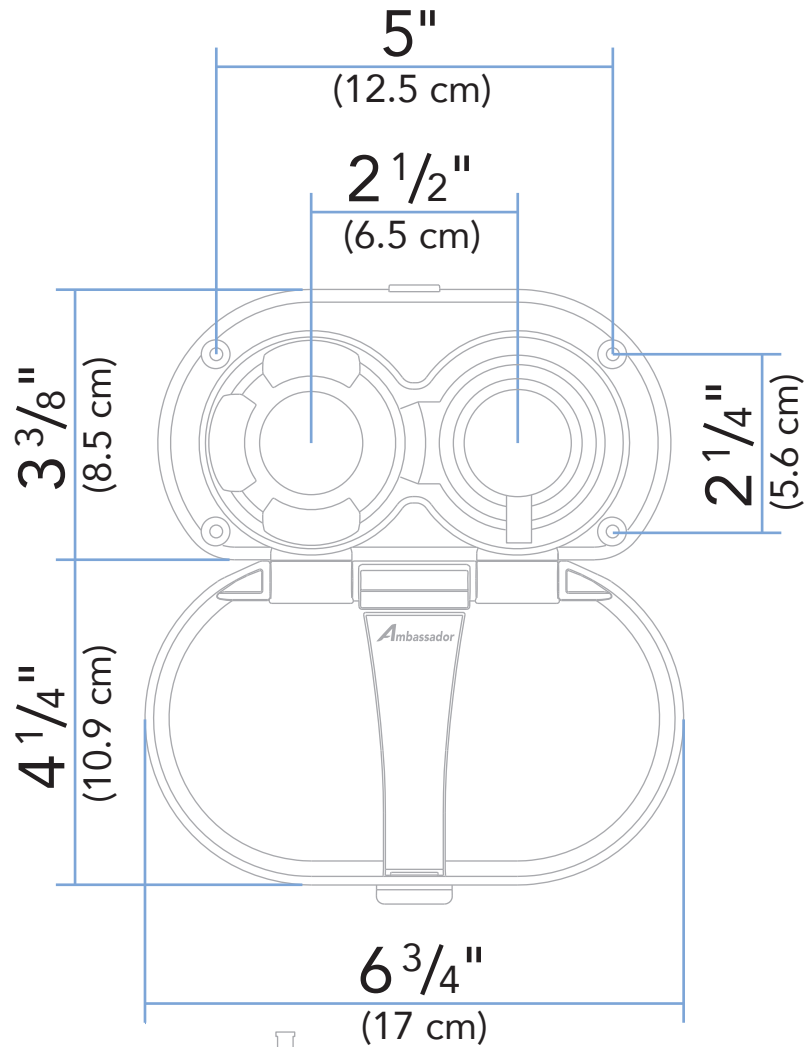
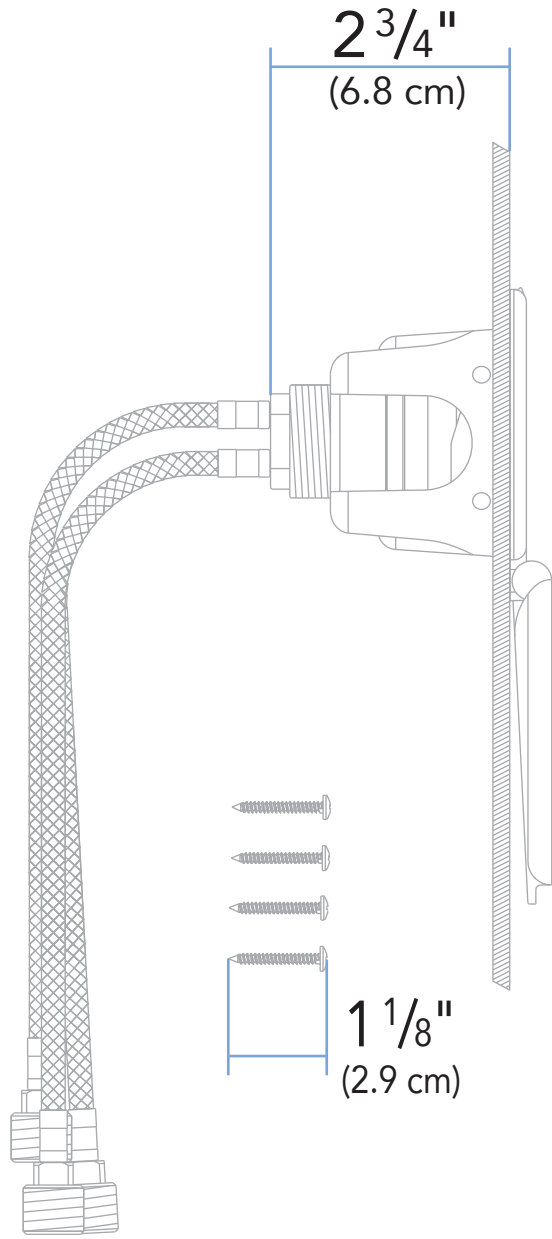
|   |                    |
|---|--------------------|
| A | Ambassador branded |
| B |                    |
| C |                    |
| D |                    |
| E |                    |
| F |                    |
| G |                    |



www.ambassadormarine.com  
(800) 270-4262

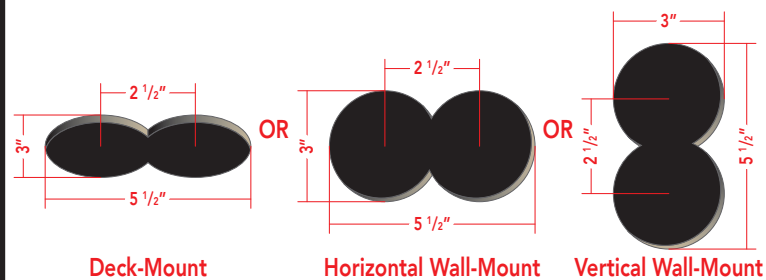
Model # **136-1714-xx**

Rev # **A**



**Installation Hole Requirement**

This unit requires a **minimum** of this/these hole(s)



ALL DIMENSIONS ± 1/16"  
SOME COMPONENTS MAY NOT BE DRAWN TO SCALE

Ambassador Marine Inc. reserves the right to make product specification changes and to change or discontinue models without notice or obligation