

Rev. Change

A	Original
B	Trap Body Threads
C	
D	
E	
F	
G	



www.ambassadormarine.com
(800) 270-4262

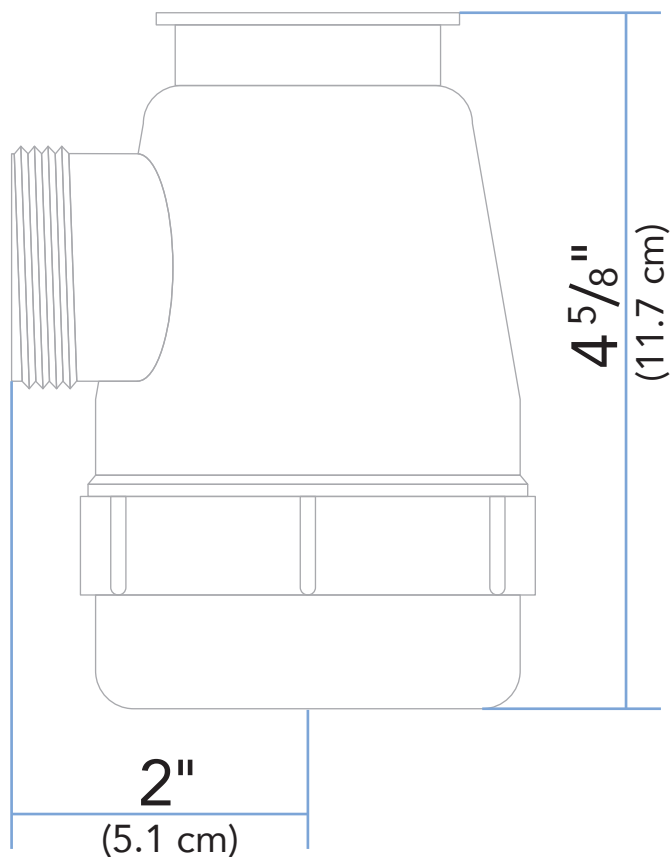
Model #

S00-0016-xx

Rev #

B

1 1/4" Thread



ALL DIMENSIONS ± 1/16"
SOME COMPONENTS MAY NOT BE DRAWN TO SCALE

Ambassador Marine Inc. reserves the right to make product specification changes and to change or discontinue models without notice or obligation

Fitting / Thread Size

* Understanding 1 1/4" Fittings / Threads

Although called a "1 1/4" Fitting" or "1 1/4" Thread", which is a standard plumbing pipe thread size in North America, the threads **DO NOT** actually measure 1 1/4", if measured with a ruler or tape measure. 1 1/4" is an internationally standardized term, not the true size of the fitting or threads.

"1 1/4 inch" FEMALE pipe fittings / threads actually measure **1.52 inches** from the crest (peak) of the threads on one side to the crest of threads on the opposite side

"1 1/4 inch" MALE pipe fittings / threads actually measure **1.62 inches** from the crest (peak) of the threads on one side to the crest of threads on the opposite side

