

Rev. Change

A	Original
B	
C	
D	
E	
F	
G	



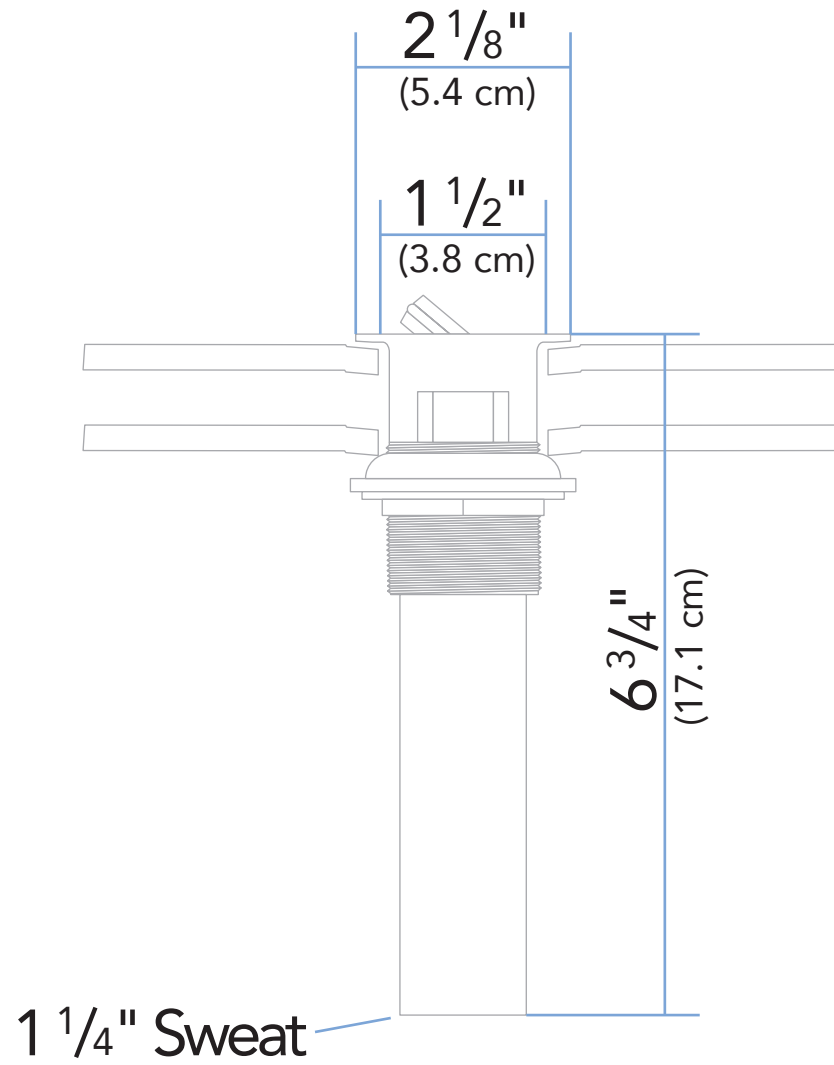
www.ambassadormarine.com
(800) 270-4262

Model #

S01-0511-xx

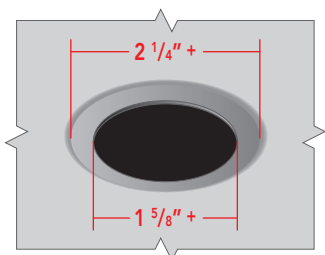
Rev #

A



Drain Hole Requirement

This unit requires a **minimum** of this drain hole



1 1/2" Drain

ALL DIMENSIONS $\pm 1/16"$
SOME COMPONENTS MAY NOT BE DRAWN TO SCALE

Ambassador Marine Inc. reserves the right to make product specification changes and to change or discontinue models without notice or obligation