

Rev. Change

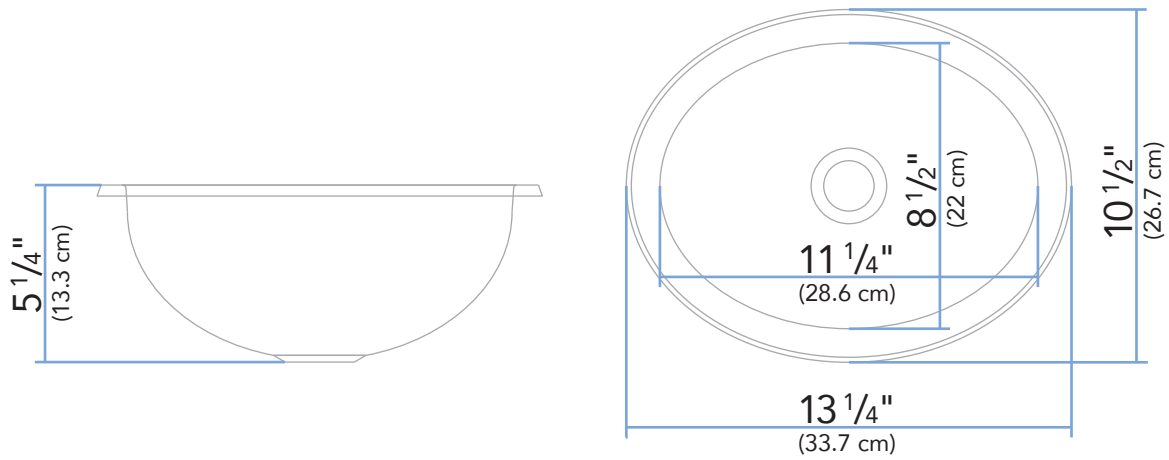
A	Original
B	Thailand
C	
D	
E	
F	
G	



www.ambassadormarine.com  
(800) 270-4262

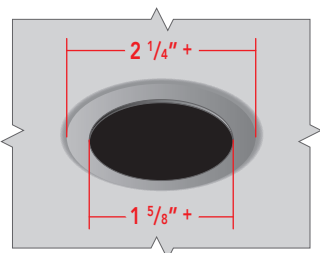
Model #  
**S64-6530-xx**

Rev #  
**B**



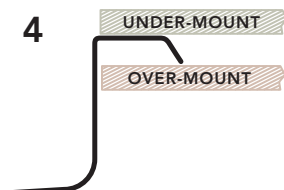
Drain Hole Requirement

This unit requires a **minimum** of this drain hole



**1 1/2" Drain**

Flange (Rim) Style



This Flange Style allows for either "Over-Mounting" or "Under-Mounting" of the sink on the counter-top

ALL DIMENSIONS  $\pm \frac{1}{16}''$   
SOME COMPONENTS MAY NOT BE DRAWN TO SCALE

Ambassador Marine Inc. reserves the right to make product specification changes and to change or discontinue models without notice or obligation