

Rev. Change

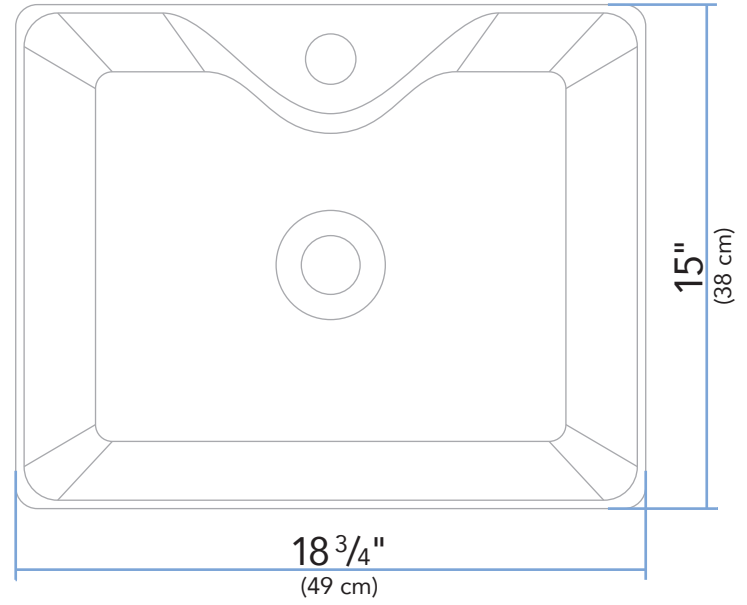
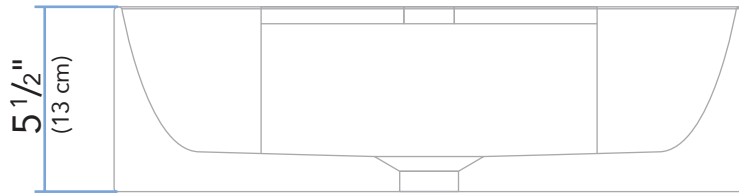
A	Original
B	
C	
D	
E	
F	
G	



www.ambassadormarine.com
(800) 270-4262

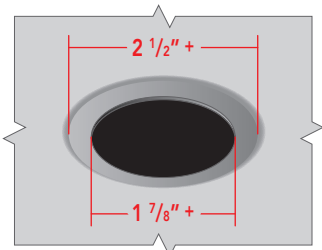
Model #
V48-3534-xx

Rev #
A



Drain Hole Requirement

This unit requires a *minimum* of this drain hole



1 3/4" Drain

Flange (Rim) Style

N/A

ALL DIMENSIONS ± 1/16"
SOME COMPONENTS MAY NOT BE DRAWN TO SCALE

Ambassador Marine Inc. reserves the right to make product specification changes and to change or discontinue models without notice or obligation