

Rev. Change

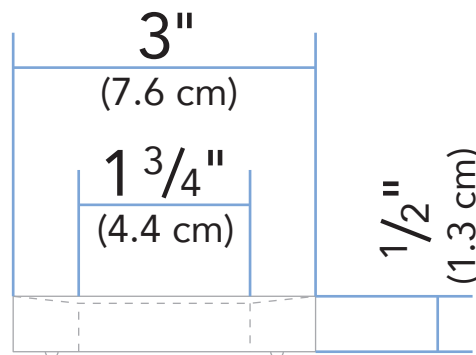
A	Original
B	Slide Over Drain Threads
C	
D	
E	
F	
G	



www.ambassadormarine.com  
(800) 270-4262

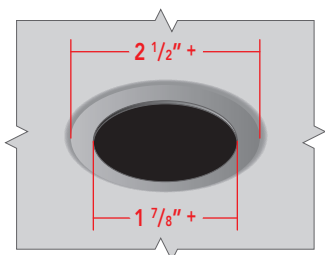
Model #  
**V03-0050-xx**

Rev #  
**A**



Drain Hole Requirement

This unit requires a *minimum* of this drain hole



**1 3/4" Drain**

ALL DIMENSIONS ± 1/16"  
SOME COMPONENTS MAY NOT BE DRAWN TO SCALE

Ambassador Marine Inc. reserves the right to make product specification changes and to change or discontinue models without notice or obligation